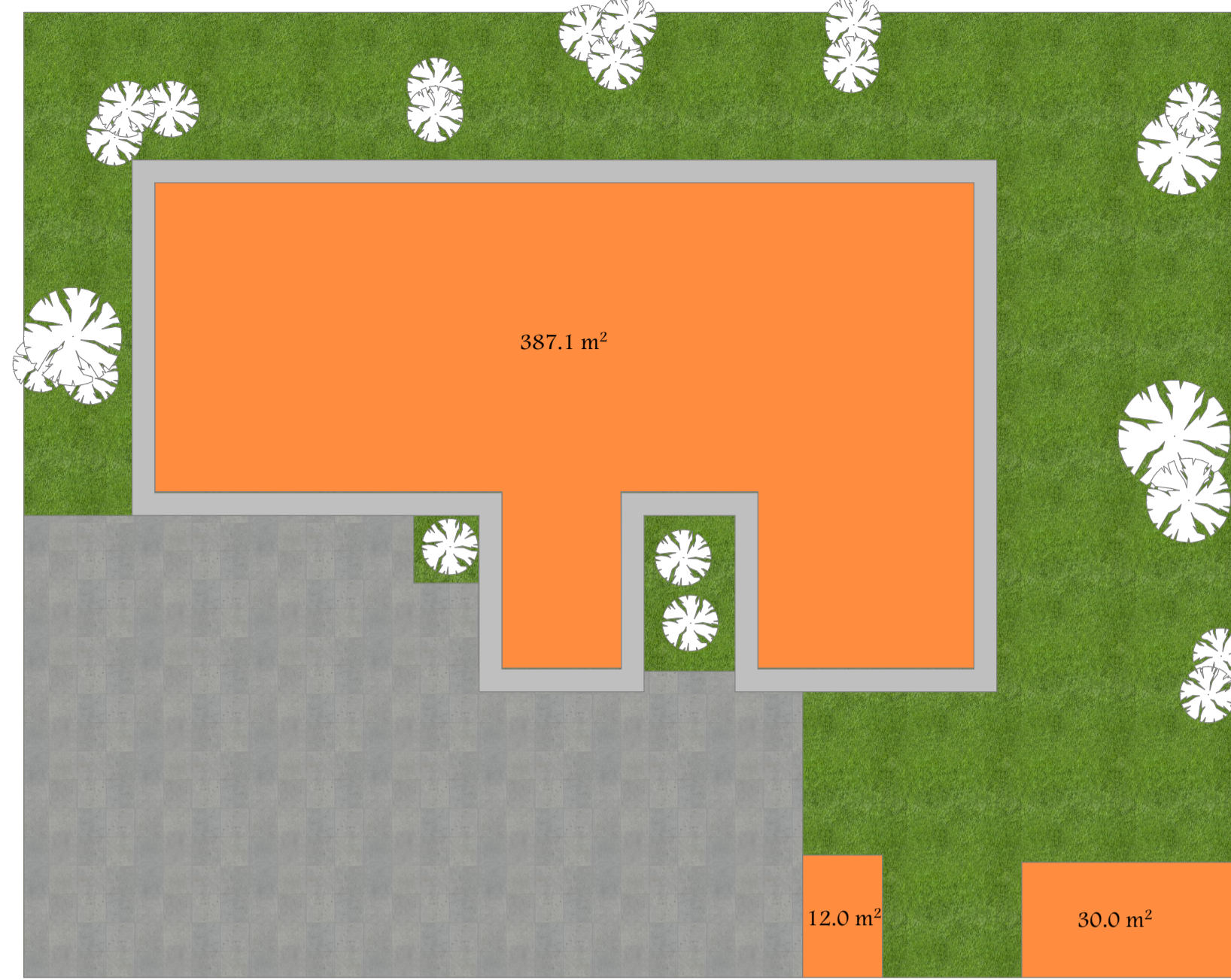
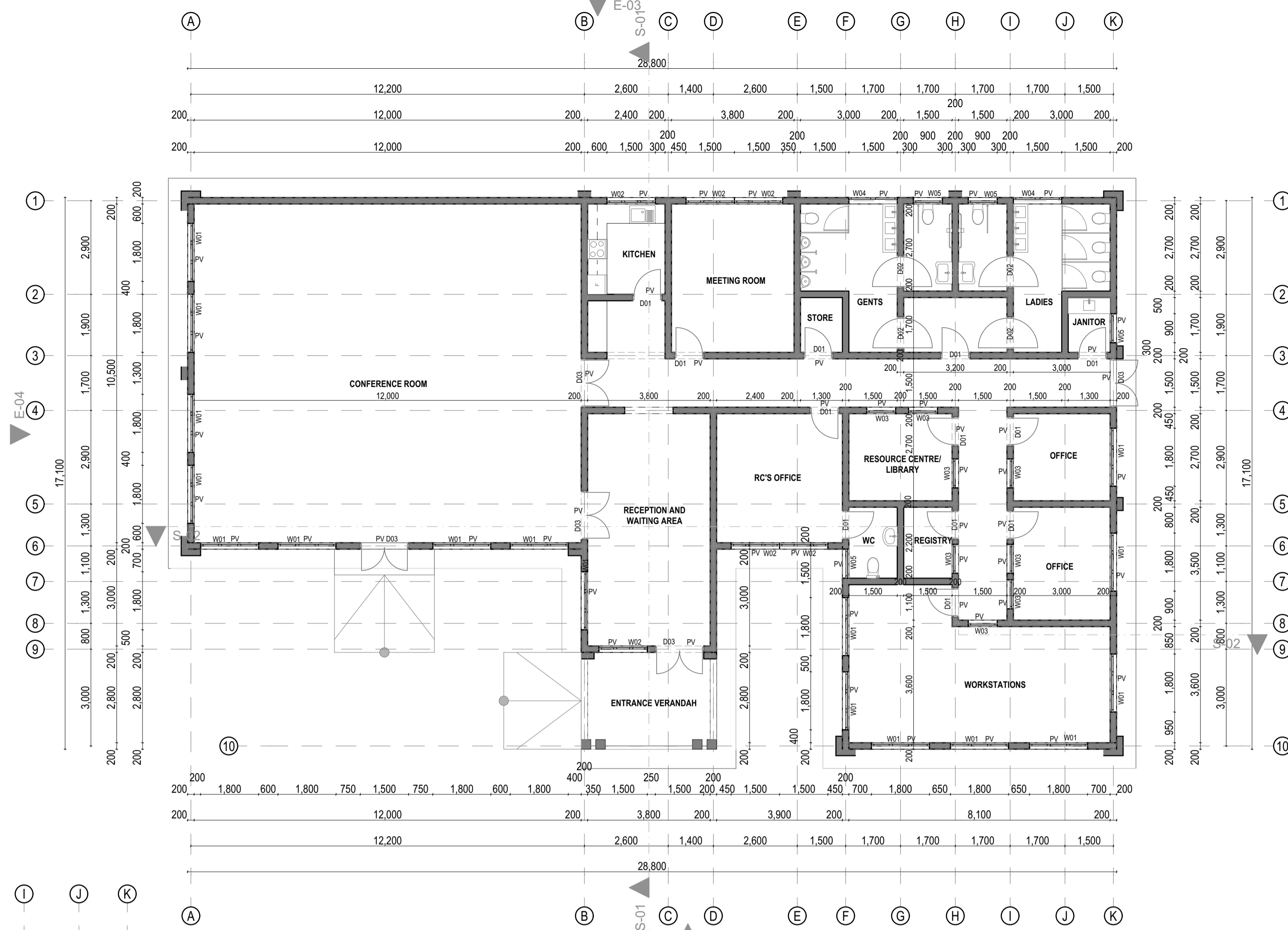


NG-CDF BOARD LOWER  
EASTERN REGIONAL OFFICE

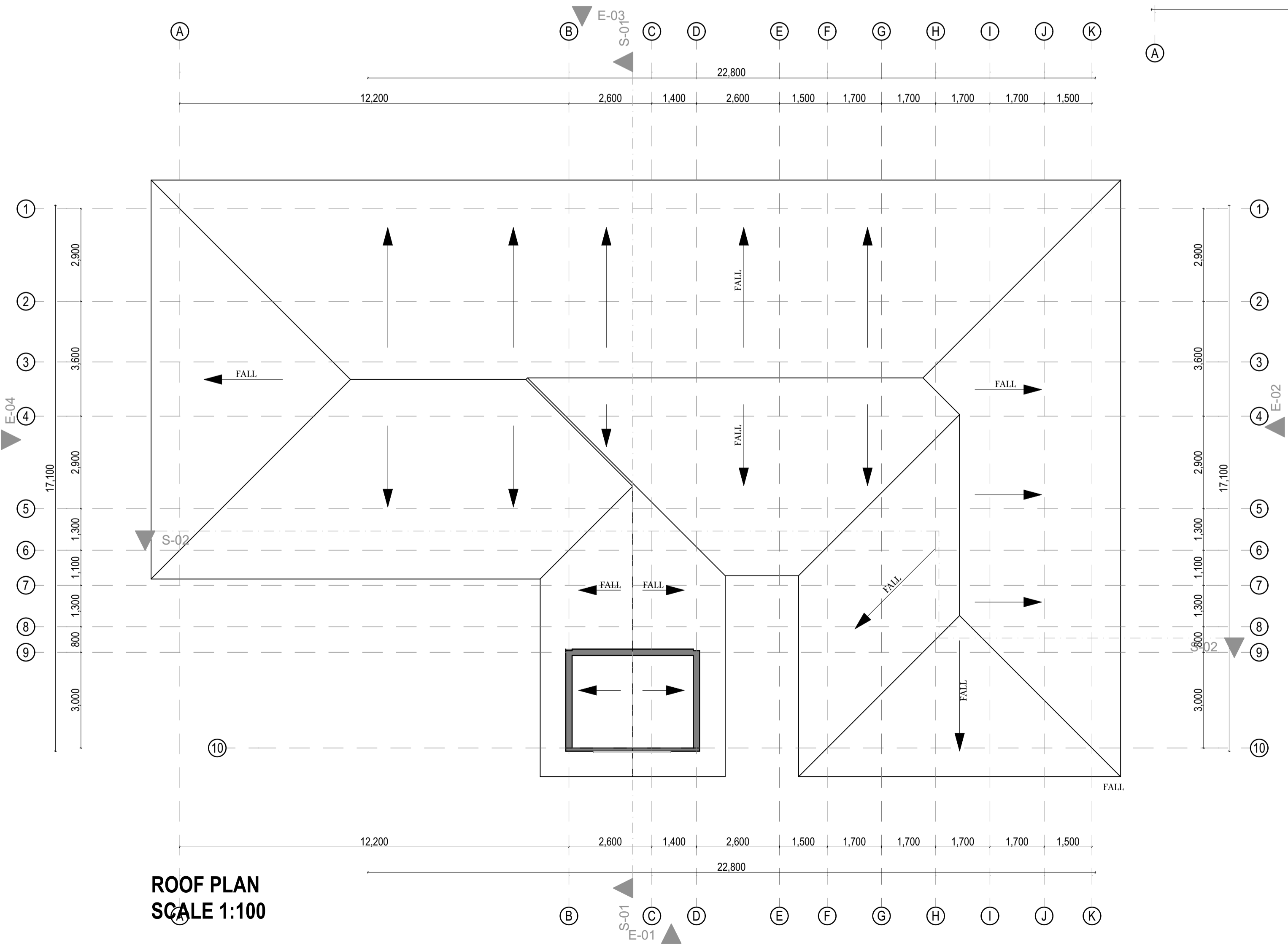
ARCHITECTURAL



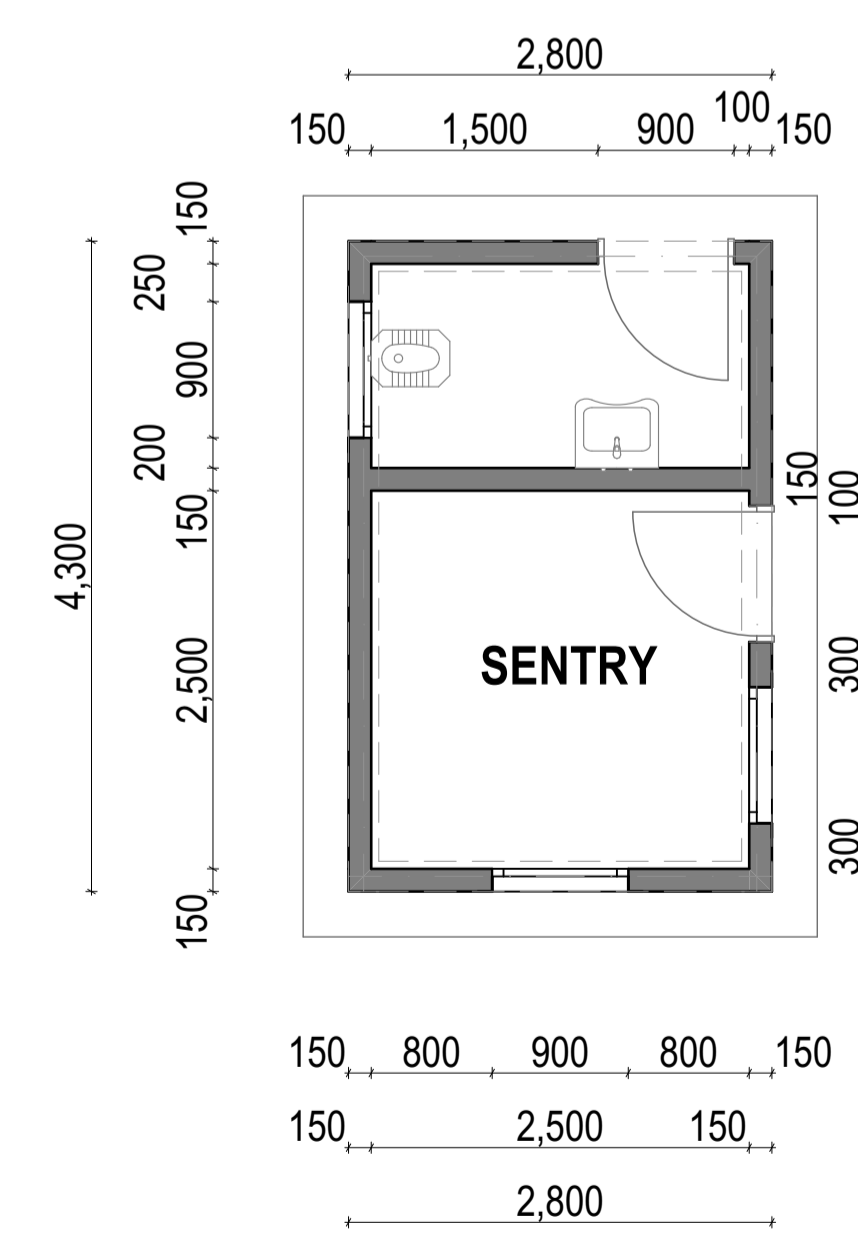
**SITE PLAN**  
SCALE 1:200



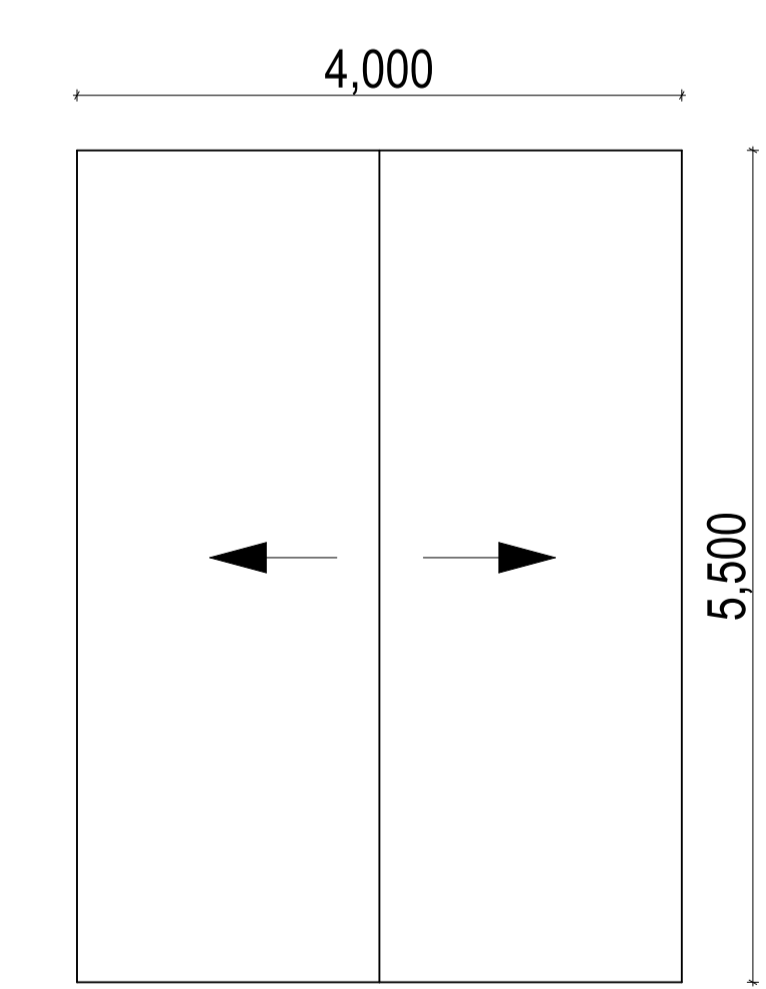
**GROUND FLOOR PLAN**  
SCALE 1:100



**ROOF PLAN**  
SCALE 1:100



**SENTRY FLOOR PLAN**  
SCALE 1:50



**SENTRY ROOF PLAN**  
SCALE 1:50

- NOTES
- This drawing is protected under The Copyright Act and cannot be used or reproduced in part or in whole without the author's consent.
  - All dimensions are in millimetres (mm) unless otherwise stated.
  - All dimensions to be checked on site. Written dimensions rule over scaled dimensions.
  - Any discrepancy in dimensions to be reported to the Architect before any work commences.
  - All construction works to comply with the latest K.B.S. standard codes of practice and Local Authority regulations.
  - P.V. denotes permanent ventilation and must be provided above all doors and windows except to WCs.
  - All walls to be reinforced with hoop iron at every alternate course.
  - All R.C. works to structural engineer's details. Depth of foundation to be determined on site but depth of trenches should not be less than 600mm below reduced ground level.
  - All surface beds to be cast on well compacted and well consolidated filling.
  - Provide one row of 600x600x50mm precast concrete paving slabs around the building unless otherwise stated.
  - D.P.C. denotes one layer of bituminous felt and should be provided under all external walls.
  - Heavy duty polythene sheeting and anti-termite treatment to be provided on underground floor slabs.
  - All service pipes to be minimum 450mm below reduced ground level.
  - All inspection chambers (I.C.) within building driveway and parking areas to be heavy duty double seal air tight covers while drains in the same areas to be PVC pipes encased in 150mm concrete surround.

Project:  
**PROPOSED NG-CDF BOARD REGIONAL OFFICE**  
ON PLOT L.R. NO.....

Location:

Client:  
  
**NATIONAL GOVERNMENT CONSTITUENCIES DEVELOPMENT FUND BOARD (NG-CDFB)**

Client's signature:.....

Subject:  
**REGIONAL OFFICE**

Title:  
**LOCATION PLAN, SITE PLAN, GROUND FLOOR PLAN, ROOF PLAN**

Consultant:

Drawn by:  
Arch B. A. Omar

Checked by:  
Arch B. A. Omar

Scale:  
**1:100, 1:200, 1:2500 @A1**

Job No:

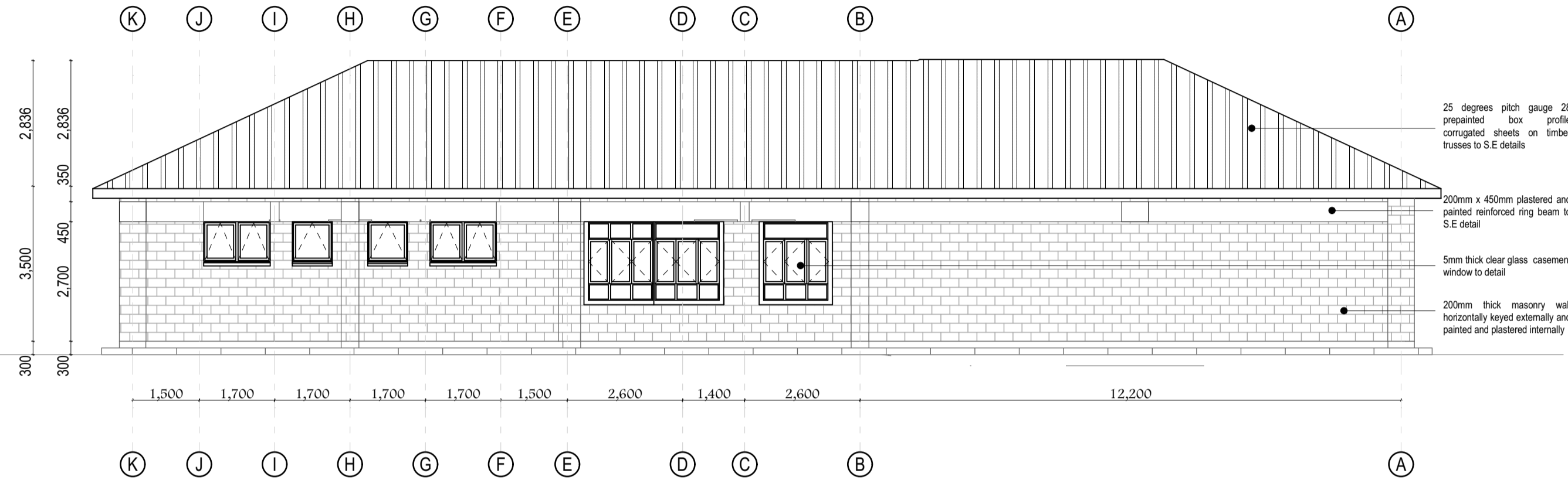
Drg No:

Revision No:

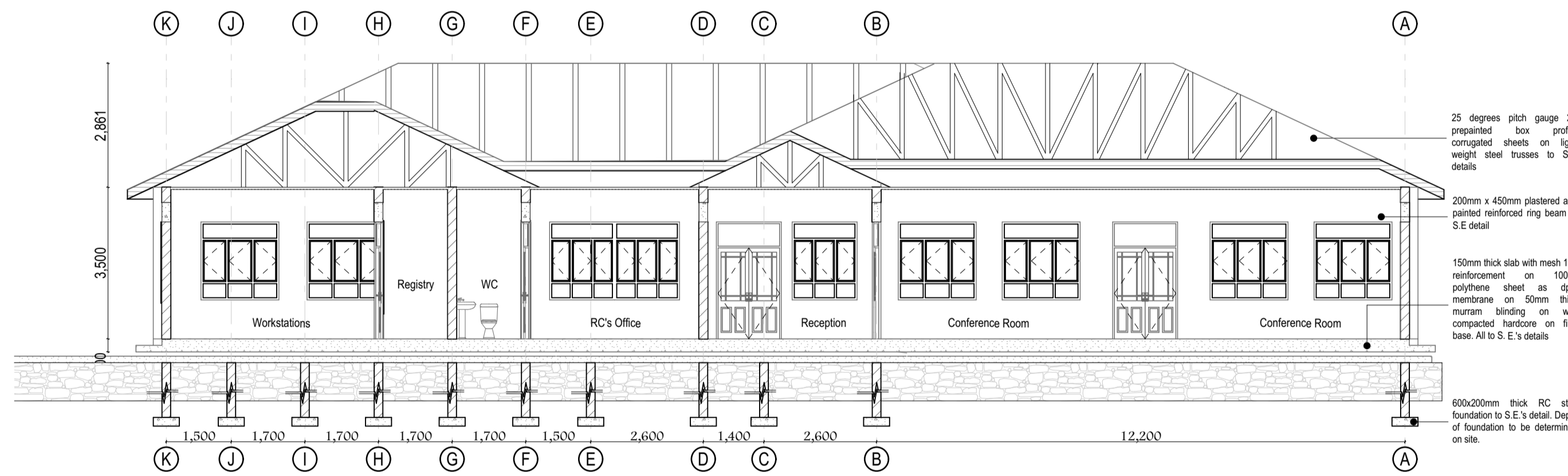
Date: **APRIL 2025**



**ELEVATION 01**  
SCALE 1:100



**ELEVATION 03**  
SCALE 1:100



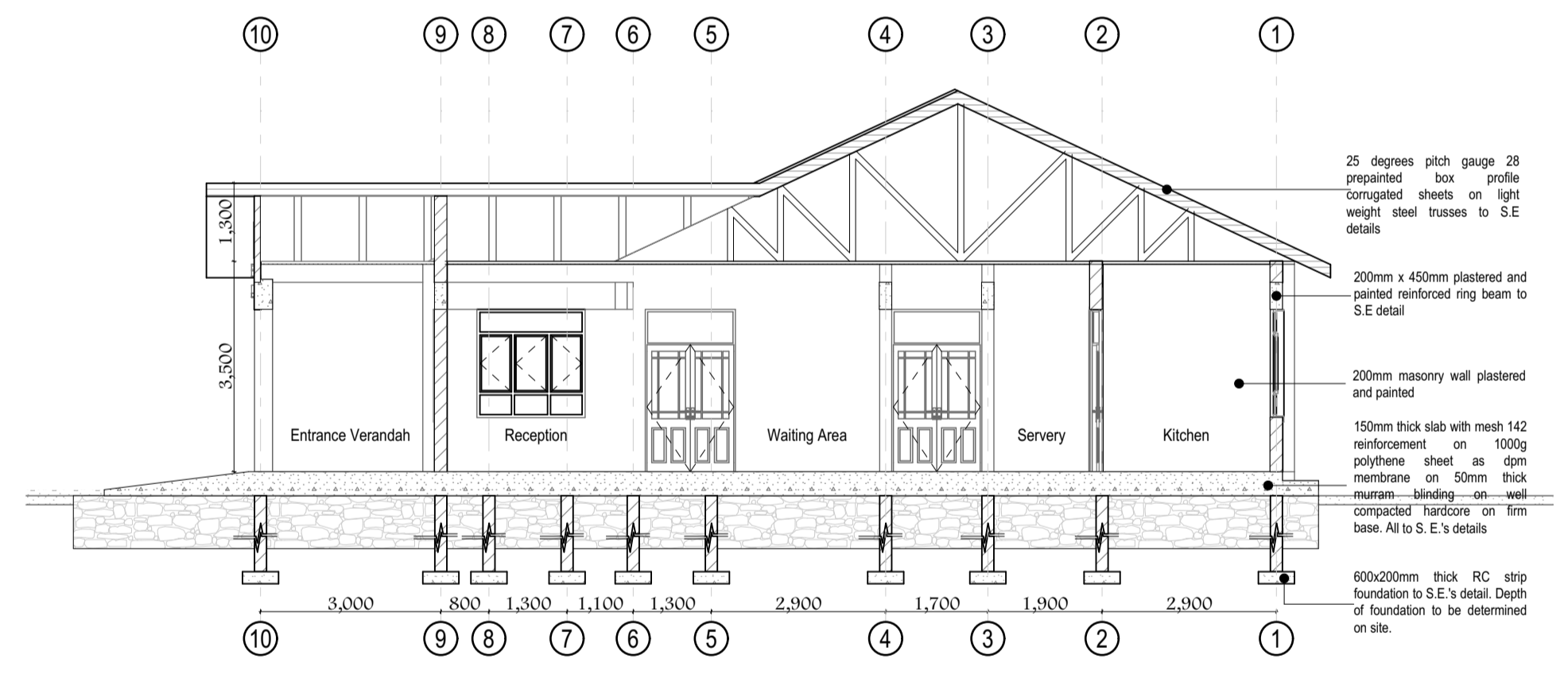
**SECTION 01**  
SCALE 1:100



**ELEVATION 02**  
SCALE 1:100



**ELEVATION 04**  
SCALE 1:100



**SECTION 02**  
SCALE 1:100

ID	W01	W02	W03	W04	W05	W06
Quantity	17	6	8	2	4	3
W x H Size	1,800x1,800	1,500x1,800	900x2,100	1,500x900	900x900	900x1,200
Cill height	900	900	600	1,800	1,800	900
Head height	2,700	2,700	2,700	2,700	2,700	2,100
2D						
3D						
Description	Painted steel casement window with 5mm clear glass and permanent ventilation.	Painted steel casement window with 5mm clear glass and permanent ventilation.	Painted solid wood casement window with 5mm clear glass louvers and fixed glass and permanent ventilation.	Painted steel casement window with 5mm clear glass and permanent ventilation.	Painted steel casement window with 5mm clear glass and permanent ventilation.	Painted steel casement window with 5mm clear glass and permanent ventilation.

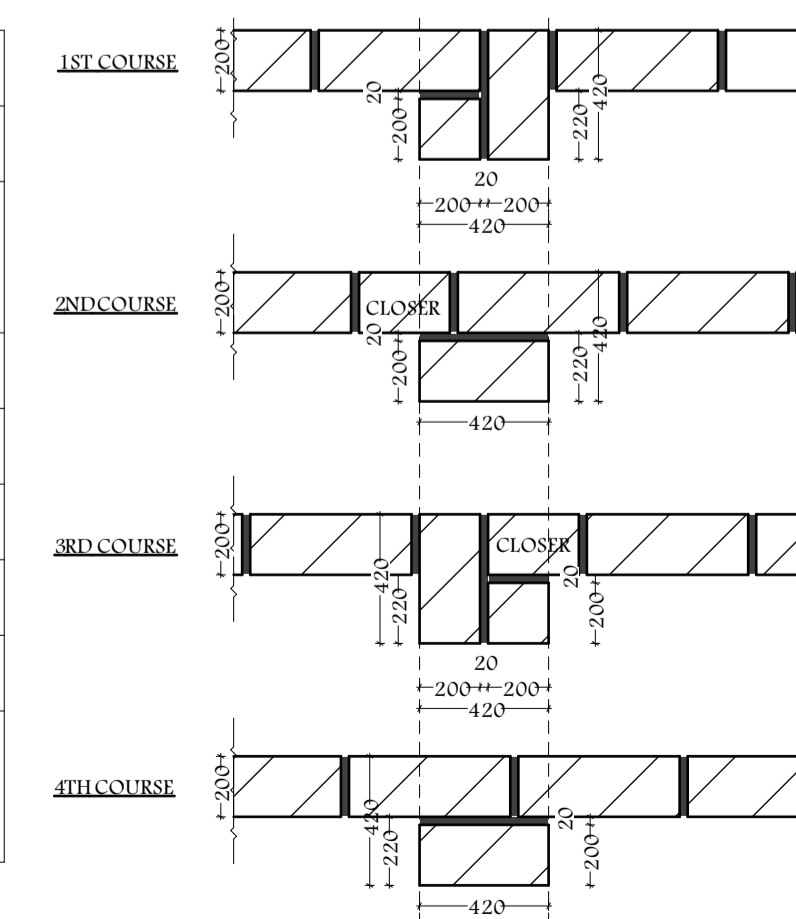
**WINDOW SCHEDULE**

ID	D01	D01	D02	D03
Quantity	5	7	4	5
W x H Size	900x2,700	900x2,700	1,000x2,700	1,500x2,700
Orientation	L	R		R
2D				
3D				
Description	Solid core wooden panel door and 5mm glass transom	Solid core wooden panel door and 5mm glass transom	Solid core wooden panel door and 5mm glass transom	Steel casement door with 5mm glass inserts and transom

**DOOR SCHEDULE**

Room	Floor	Skirting	Walls	Ceiling
Reception	Ceramic Tiles	Ceramic Tiles	Plaster & Paint	Gypsum
Conference Room	Ceramic Tiles	Ceramic Tiles	Plaster & Paint	Gypsum
Offices	Ceramic Tiles	Ceramic Tiles	Plaster & Paint	Gypsum
Registry	Ceramic Tiles	Ceramic Tiles	Plaster & Paint	Gypsum
Kitchen	Ceramic Tiles	Ceramic Tiles	Plaster & Paint	Gypsum
Meeting Room	Ceramic Tiles	Ceramic Tiles	Plaster & Paint	Gypsum
Store	Ceramic Tiles	Ceramic Tiles	Plaster & Paint	Gypsum board
Washrooms	Ceramic Tiles	Ceramic Tiles	Plaster & Paint	Water resistant gypsum board

**FINISHES SCHEDULE**



5TH AND ONWARD COURSES - REPEAT THE SEQUENCE

**MASONRY PIER DETAIL**  
1:20

- NOTES
- This drawing is protected under The Copyright Act and cannot be used or reproduced in part or in whole without the author's consent.
  - All dimensions are in millimetres (mm) unless otherwise stated.
  - All dimensions to be checked on site. Written dimensions rule over scaled dimensions.
  - Any discrepancy in dimensions to be reported to the Architect before any work commences.
  - All construction works to comply with the latest K.B.S. standard codes of practice and Local Authority regulations.
  - P.V. denotes permanent ventilation and must be provided above all doors and windows except to WCs.
  - All walls to be reinforced with hoop iron at every alternate course.
  - All R.C. works to structural engineer's details. Depth of foundation to be determined on site but depth of trenches should not be less than 600mm below reduced ground level.
  - All surface beds to be cast on well compacted and well consolidated filling.
  - Provide one row of 600x600x50mm precast concrete paving slabs around the building unless otherwise stated.
  - D.P.C. denotes one layer of bituminous felt and should be provided under all external walls.
  - Heavy duty polythene sheeting and anti-termite treatment to be provided on underground floor slabs.
  - All service pipes to be minimum 450mm below reduced ground level.
  - All inspection chambers (I.C.) within building driveway and parking areas to be heavy duty double seal air tight covers while drains in the same areas to be PVC pipes encased in 150mm concrete surround.

Project:  
**PROPOSED NG-CDF BOARD REGIONAL OFFICE**  
ON PLOT L.R. NO.....

Location:

Client:  
  
**NATIONAL GOVERNMENT CONSTITUENCIES DEVELOPMENT FUND BOARD (NG-CDFB)**

Client's signature:.....

Subject:  
**REGIONAL OFFICE**

Title:  
**ELEVATIONS AND SECTIONS WINDOW AND DOOR SCHEDULES FINISHES SCHEDULE & DETAILS**

Consultant:

Drawn by:  
Arch B. A. Omar

Checked by:  
Arch B. A. Omar

Scale:  
1:100, 1:50, 1:20 @A1

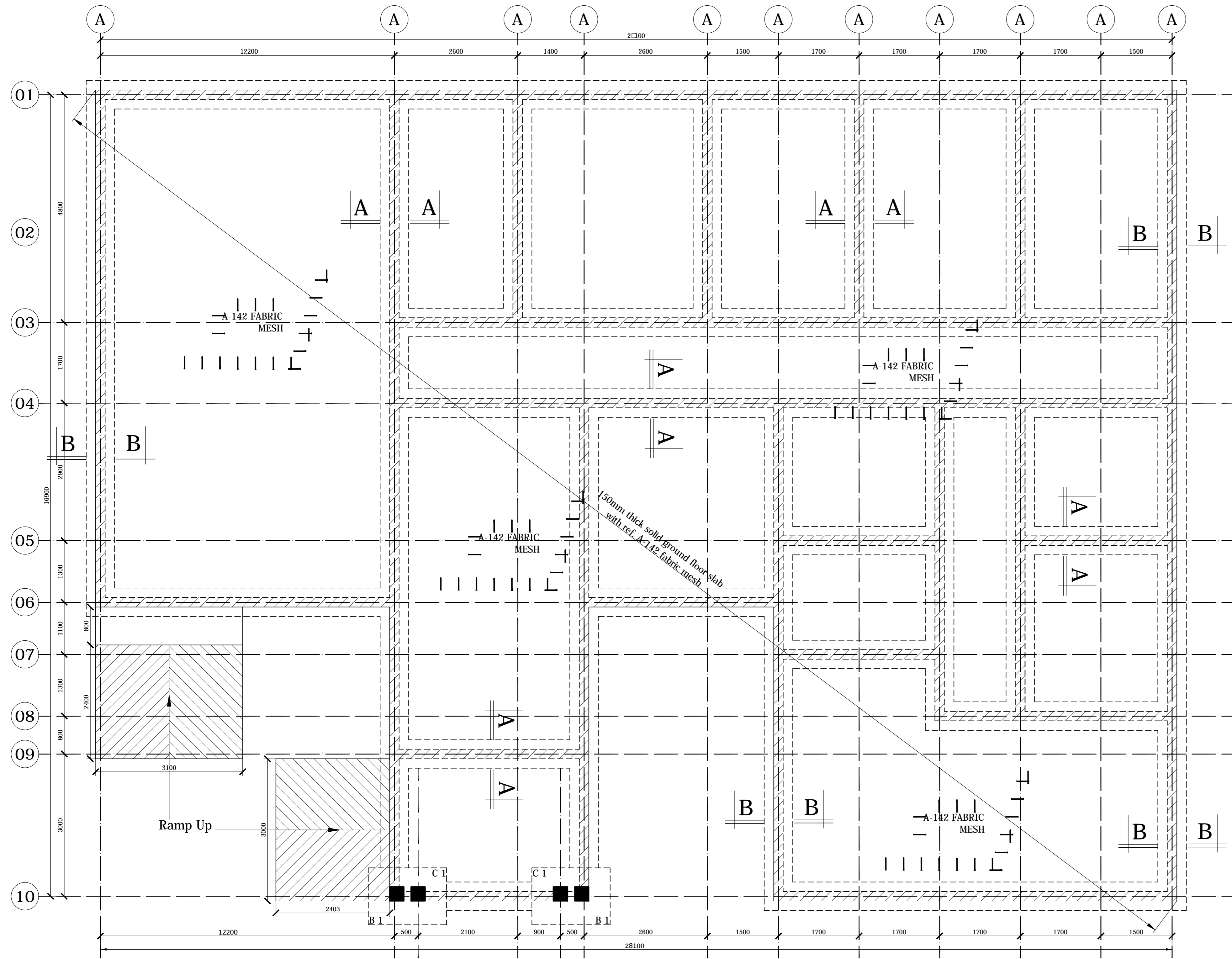
Job No:

Drg No:

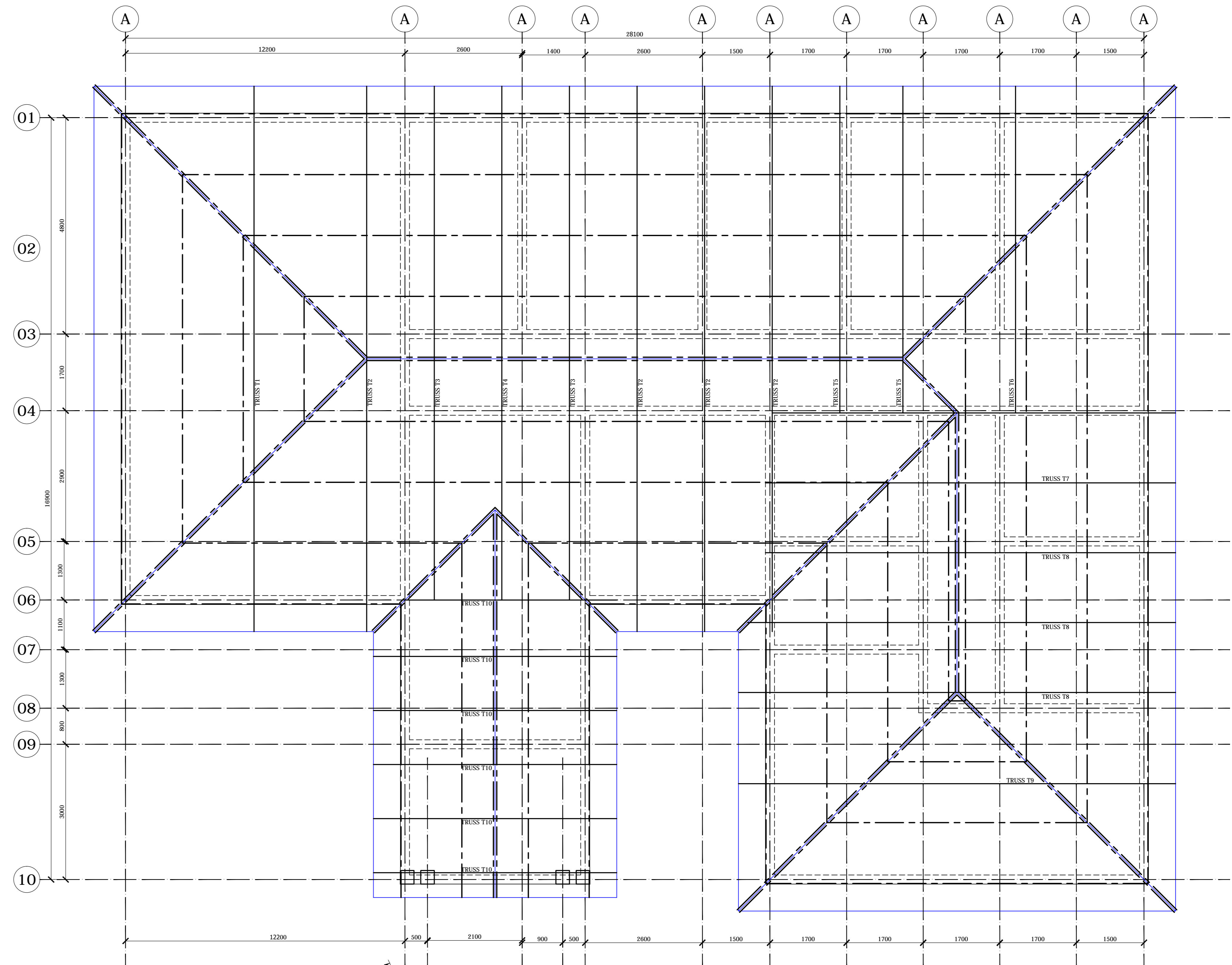
Revision No:

Date: **APRIL 2025**

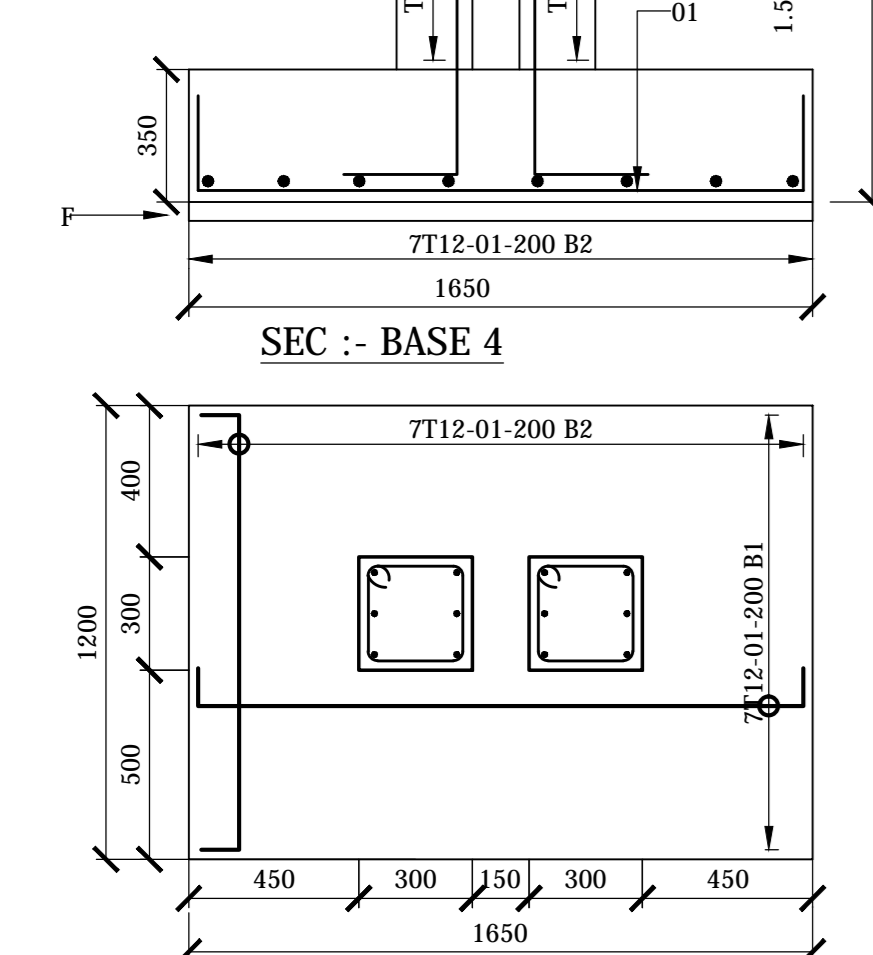
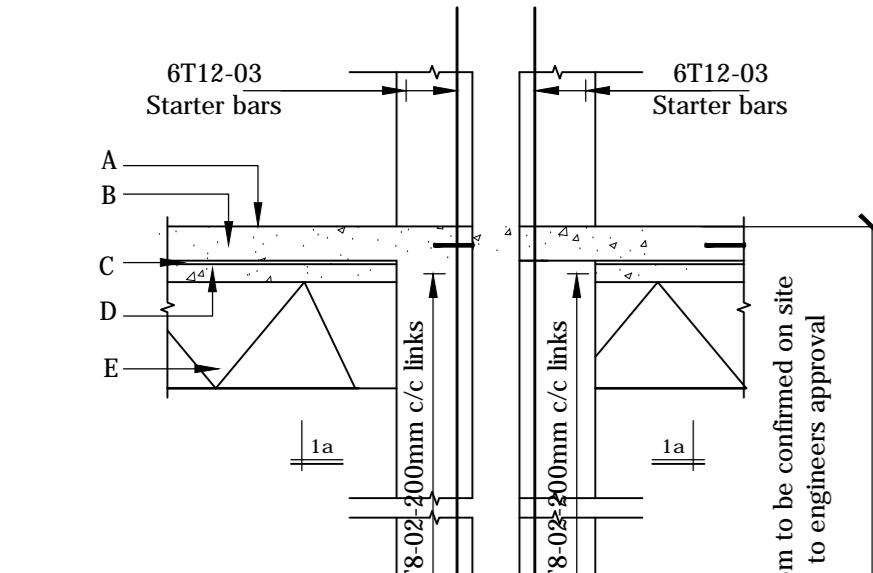
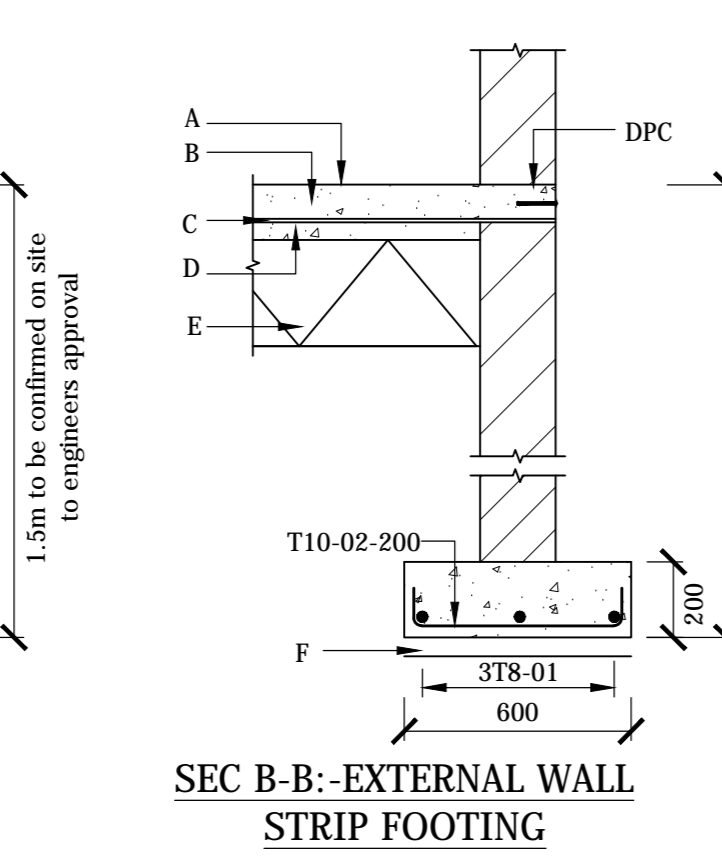
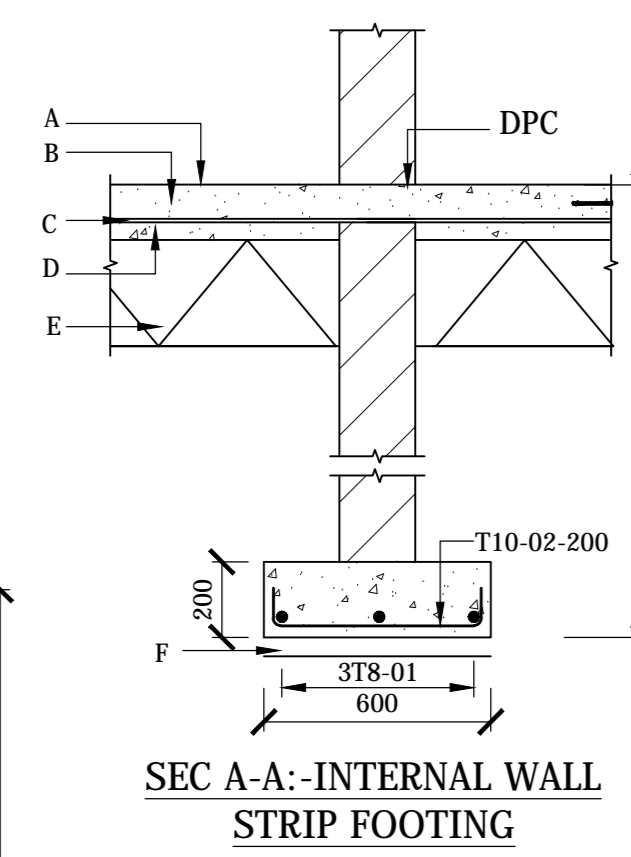
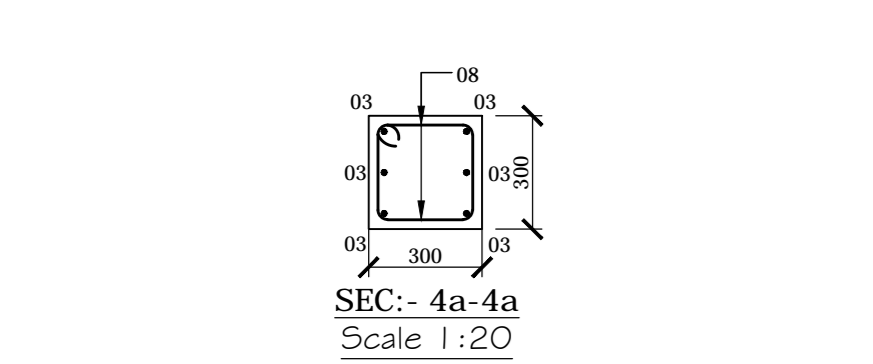
STRUCTURAL



FOUNDATION LAYOUT & R.C DETAILS  
Scale 1:50

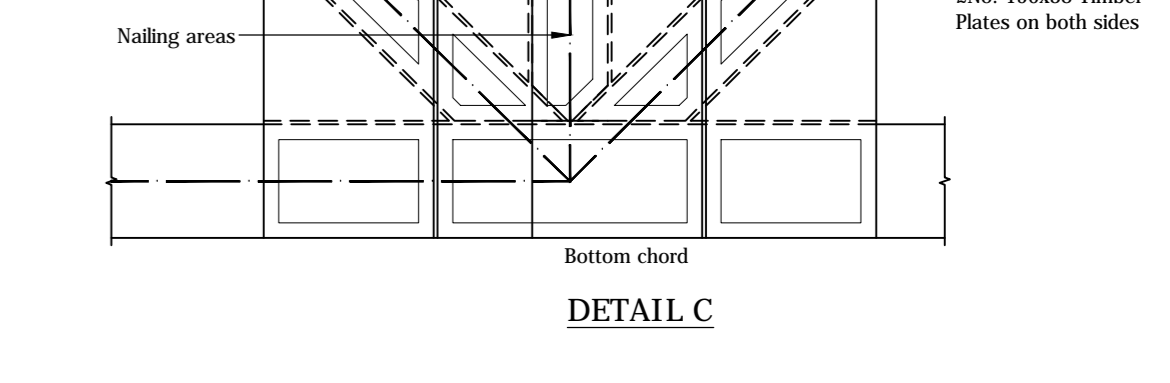
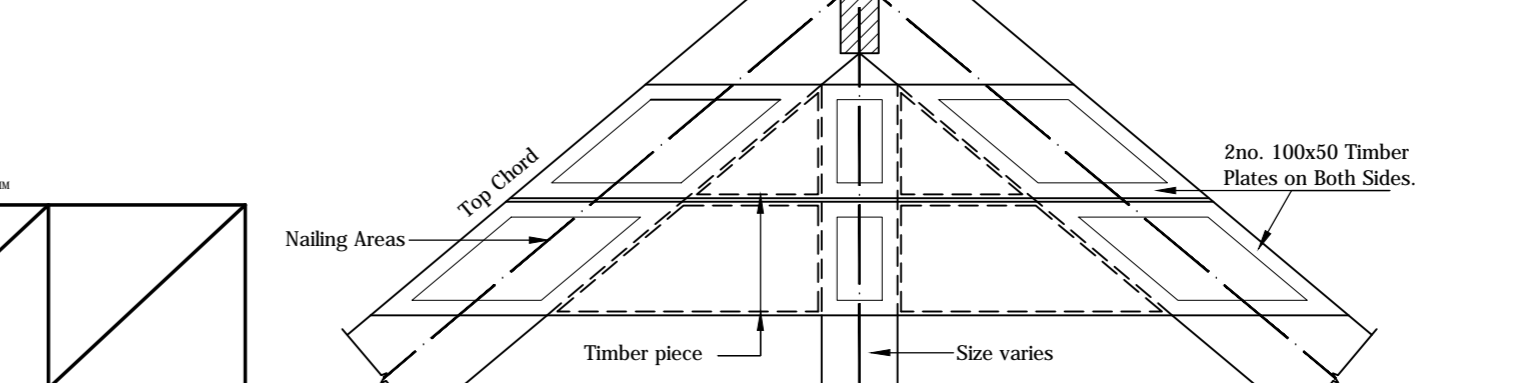
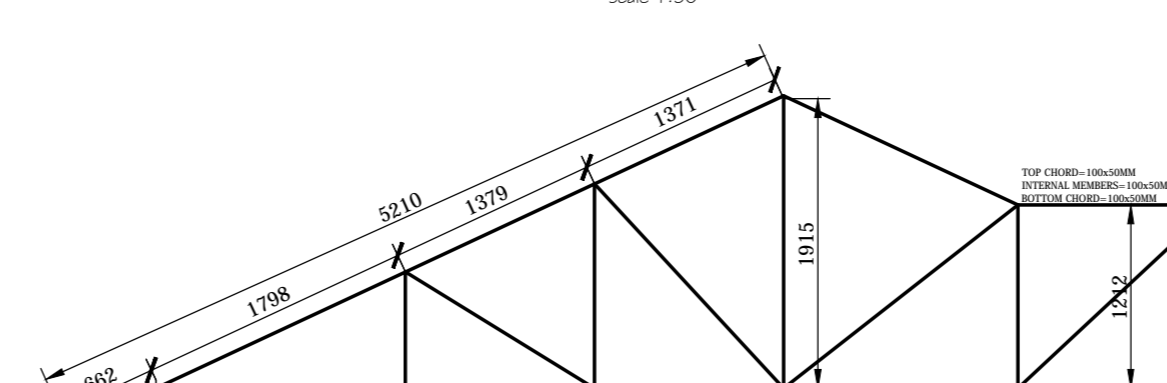
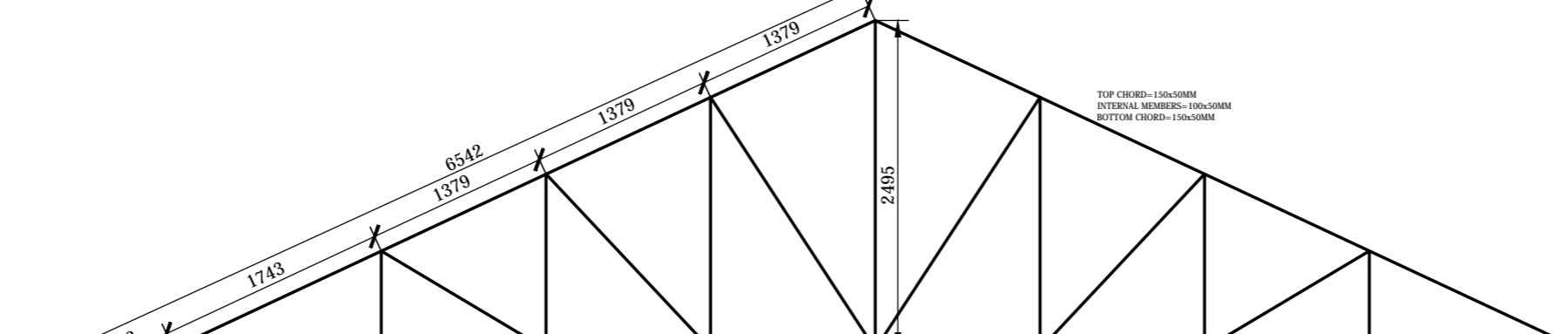
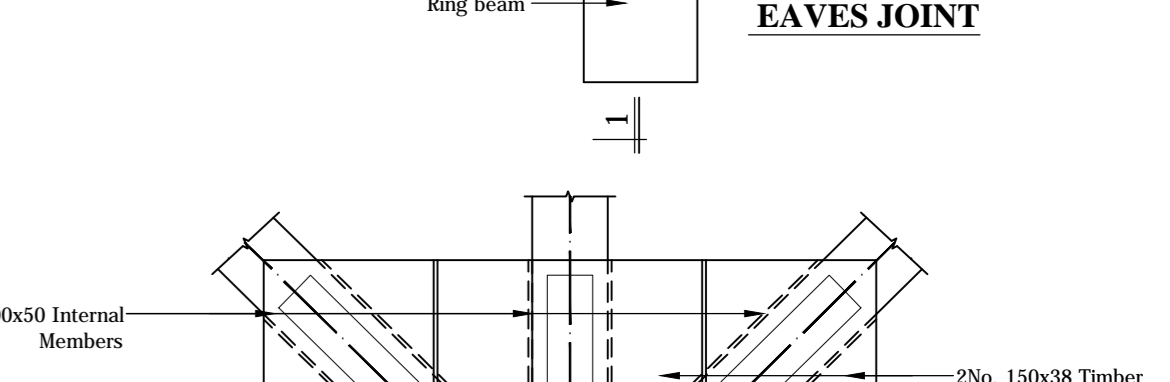
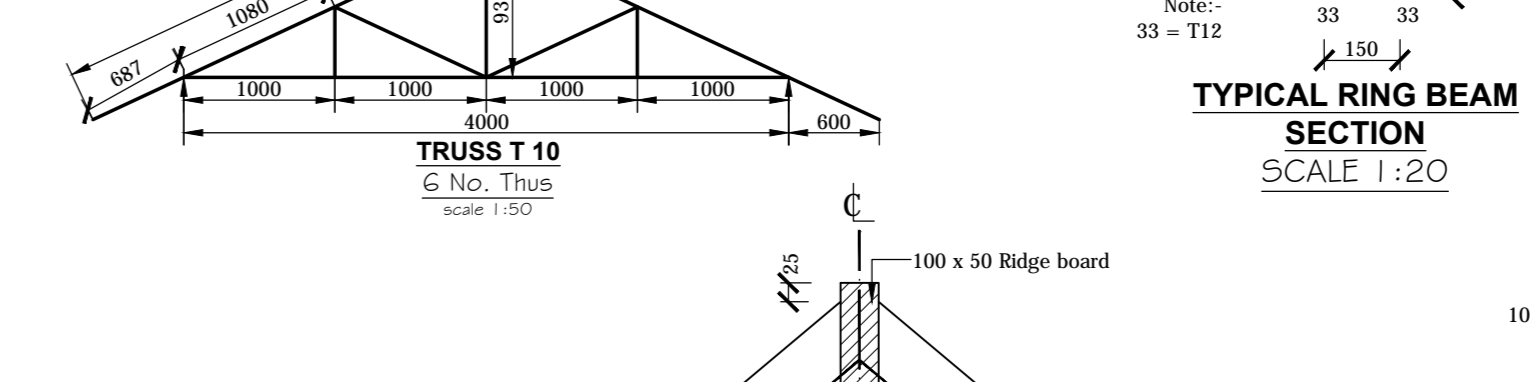
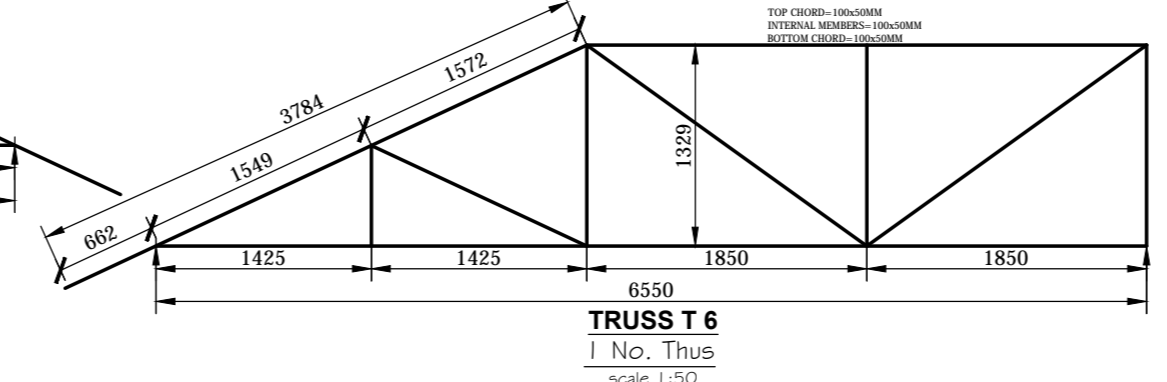
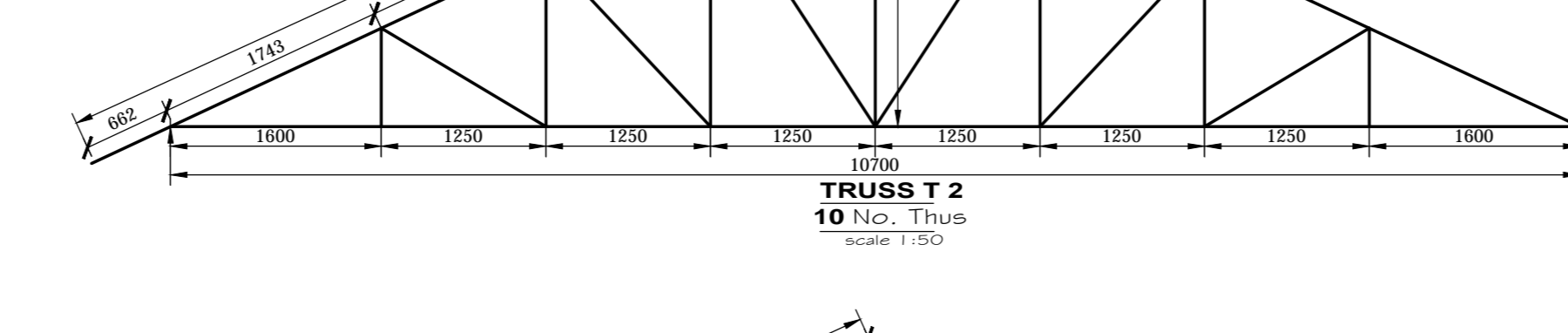
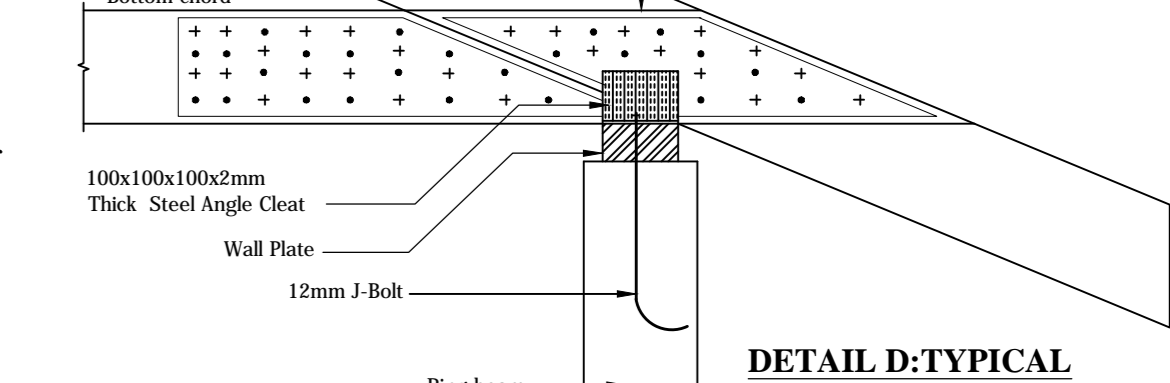
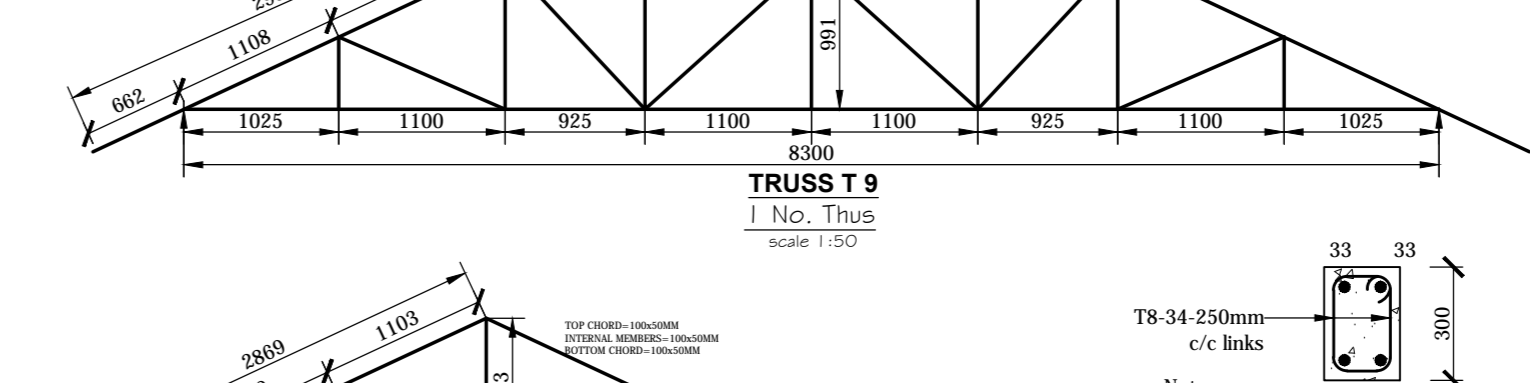
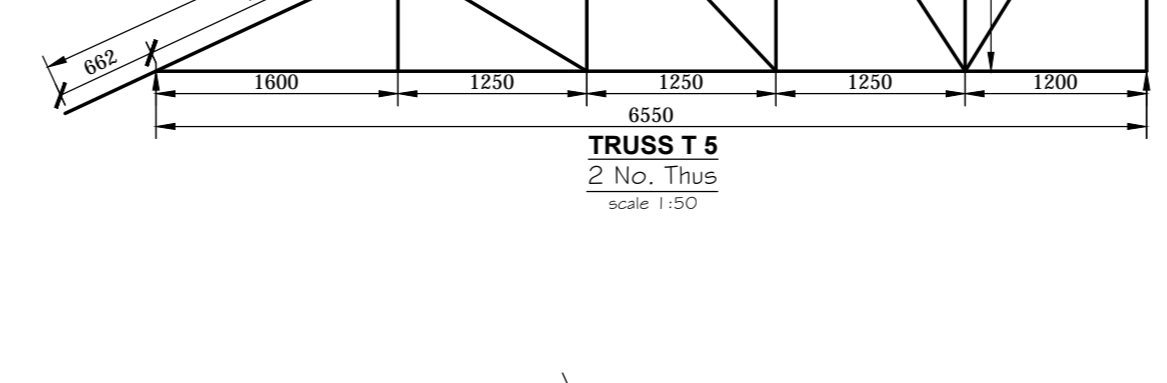
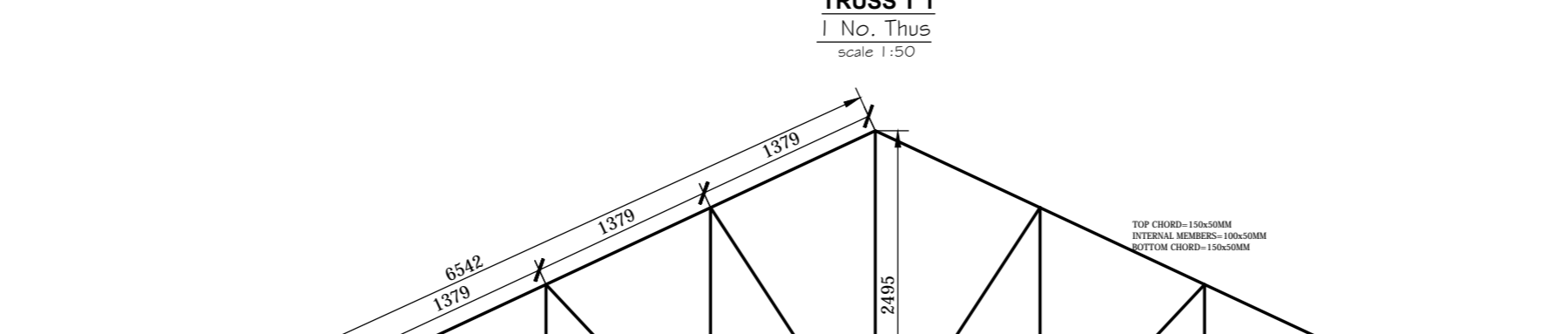
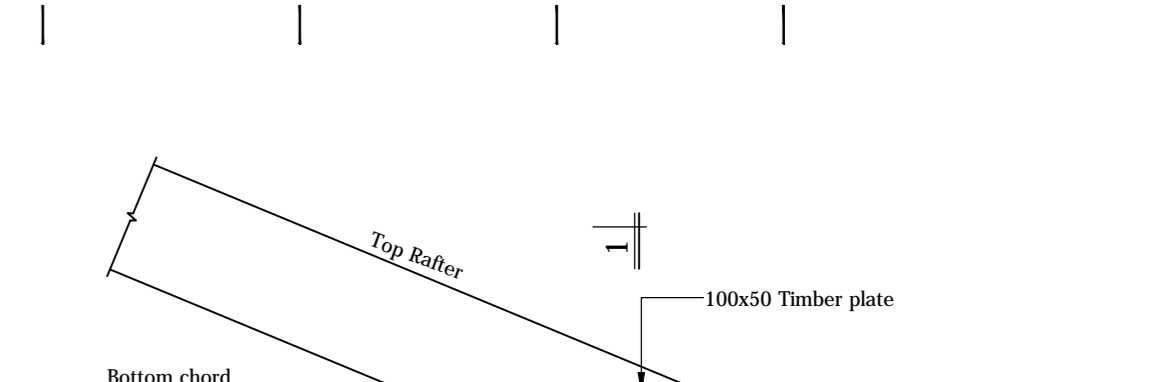
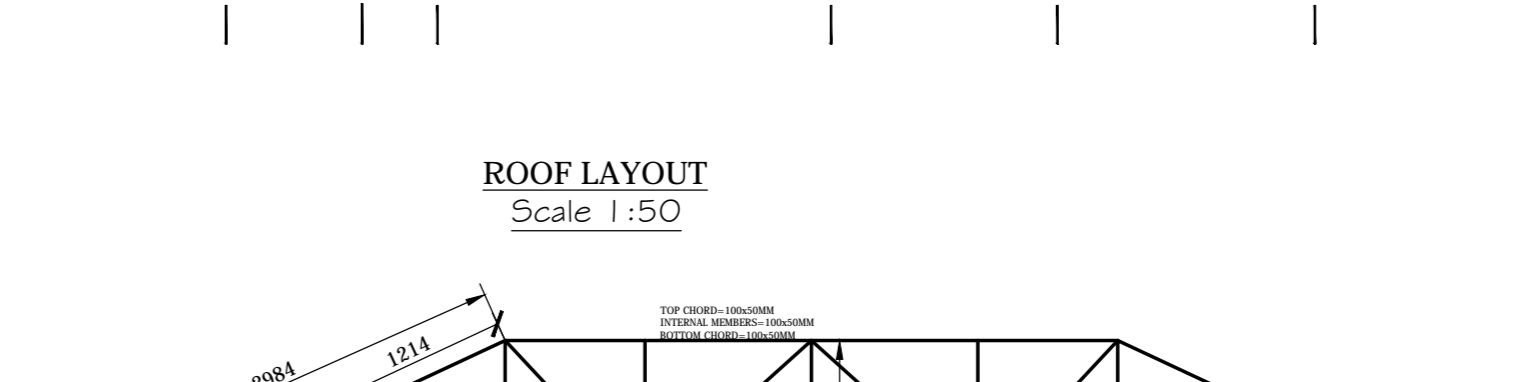
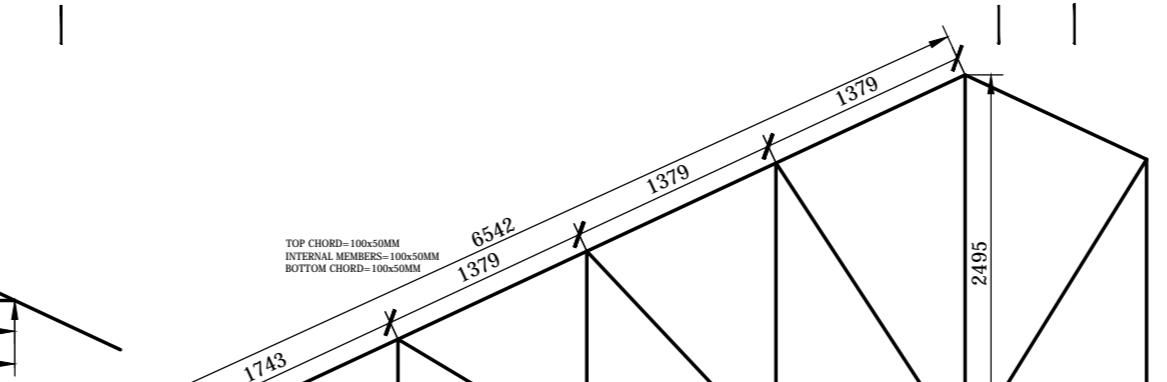
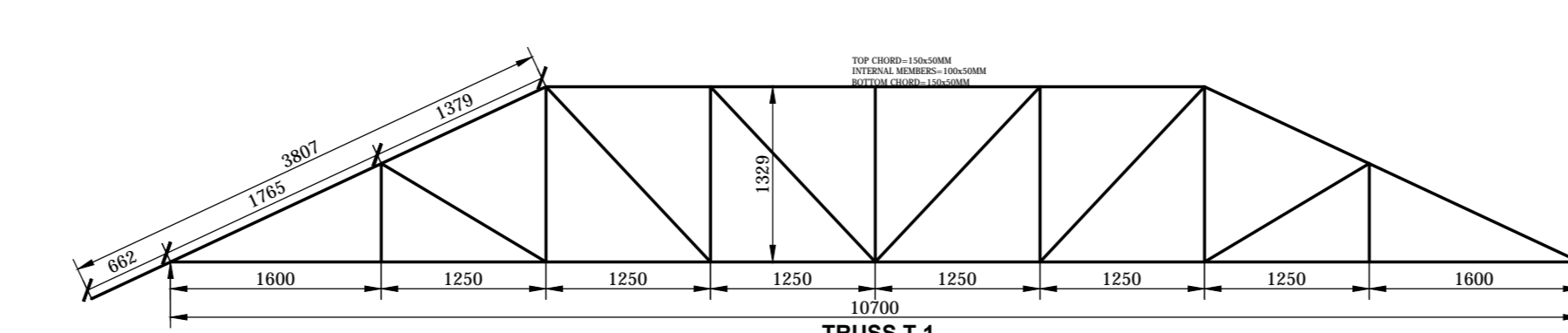
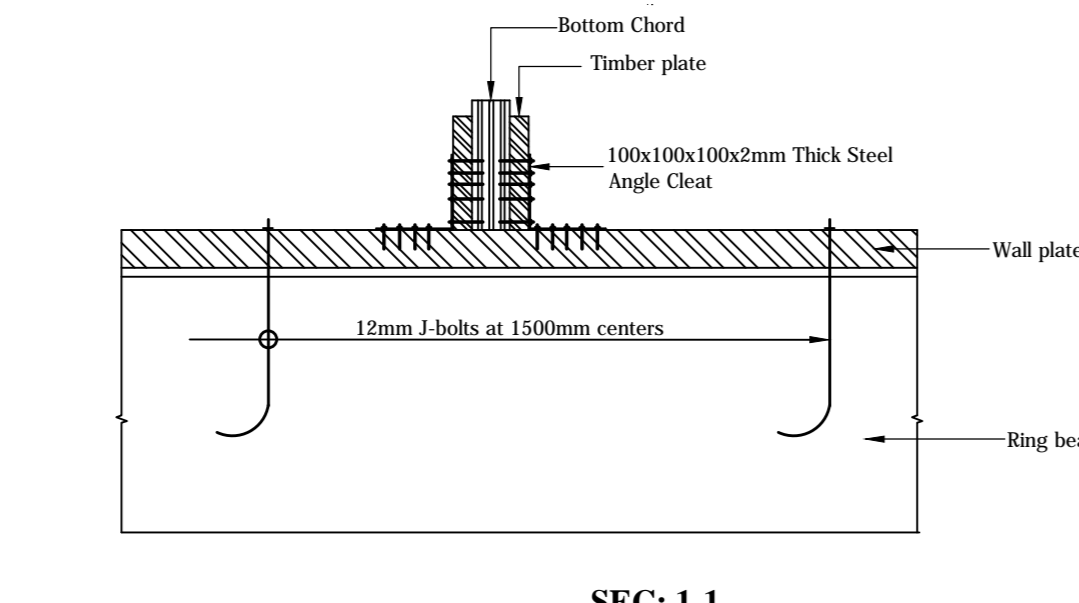


ROOF LAYOUT  
Scale 1:50



MEMBER	MARK	SIZE	TOTAL No.	LENGTH	BENDING
STRIP FOOTING	02	T10	...	700mm	
	01	T8	...	12000mm (CUT AND BEND TO SUIT MIN. LAP = 500mm)	

LEGEND	
A	150mm Ground Floor slab
B	Fabric Mesh Ref A-142
C	1000 Gauge Polyethylene Sheet DPM
D	50mm Murrum Blinding or approved similar
E	300mm thick (minimum) approved material hardcore fill laid and compacted in layers not exceeding 150mm
F	50mm Class 15 (1:3:6) Concrete Blinding



ROOF LEGEND	
R 1	100 x 50 Timber Ridge Beam
H.R 1	100 x 50 Hip Rafter
V.R 1	2 No. 100 x 50 Valley Rafters



PROPOSED NG-CDF BOARD REGIONAL OFFICE

Client  
NG-CDF BOARD REGIONAL OFFICE.  
P.O BOX  
NAIROBI

Drawing Title  
FOUNDATION LAYOUT, ROOF LAYOUT AND TRUSS ARRANGEMENT DETAILS

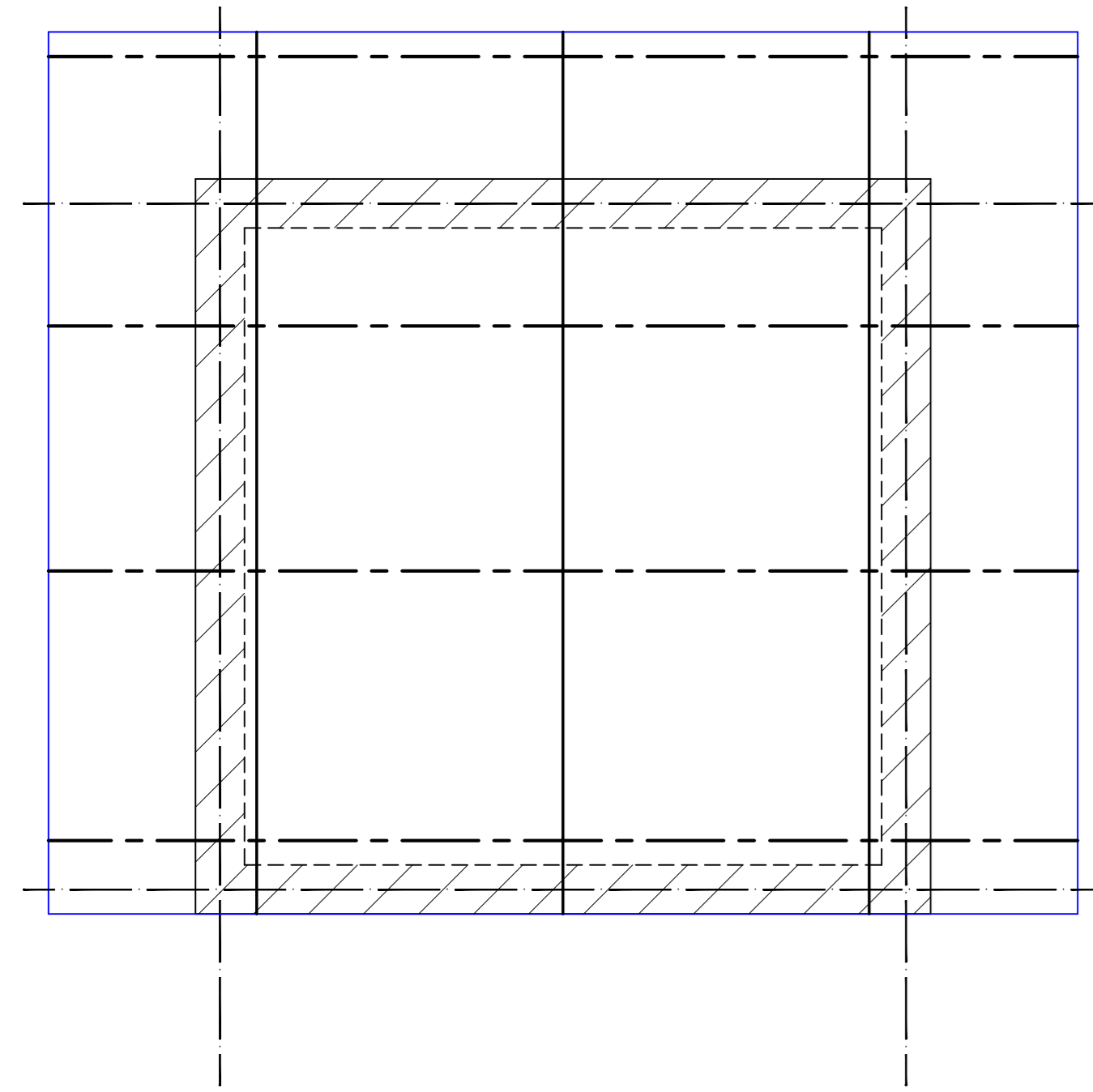
NOTES  
1. Read this drawing in conjunction with relevant C.A. Services and Architectural drawings. Any discrepancy to be reported to the Engineer.  
2. All dimensions are in millimetres unless specified otherwise.  
3. Figured dimensions to be read. No scaling is allowed on this drawing.  
4. All levels are in meters unless otherwise indicated.  
5. Minimum cover to all reinforcement to be:  
Stairs, Slabs & Walls = 20mm  
Beams = 30mm  
Columns (main bars) = 40mm  
Foundations = 50mm

6. Structural concrete to be class 25 (1:1.5:3) unless stated o/w.  
7. Maximum tolerance on concrete cover is +/- 5mm.  
8. All high tensile (T) bars to be in accordance with BS 4449 and fabric mesh to be made from cold worked steel bars in accordance with BS 4483.  
9. Min mum 1 vto to all bars to be 550 unless stated otherwise.  
10. Nominal aggregate size to be 20mm.

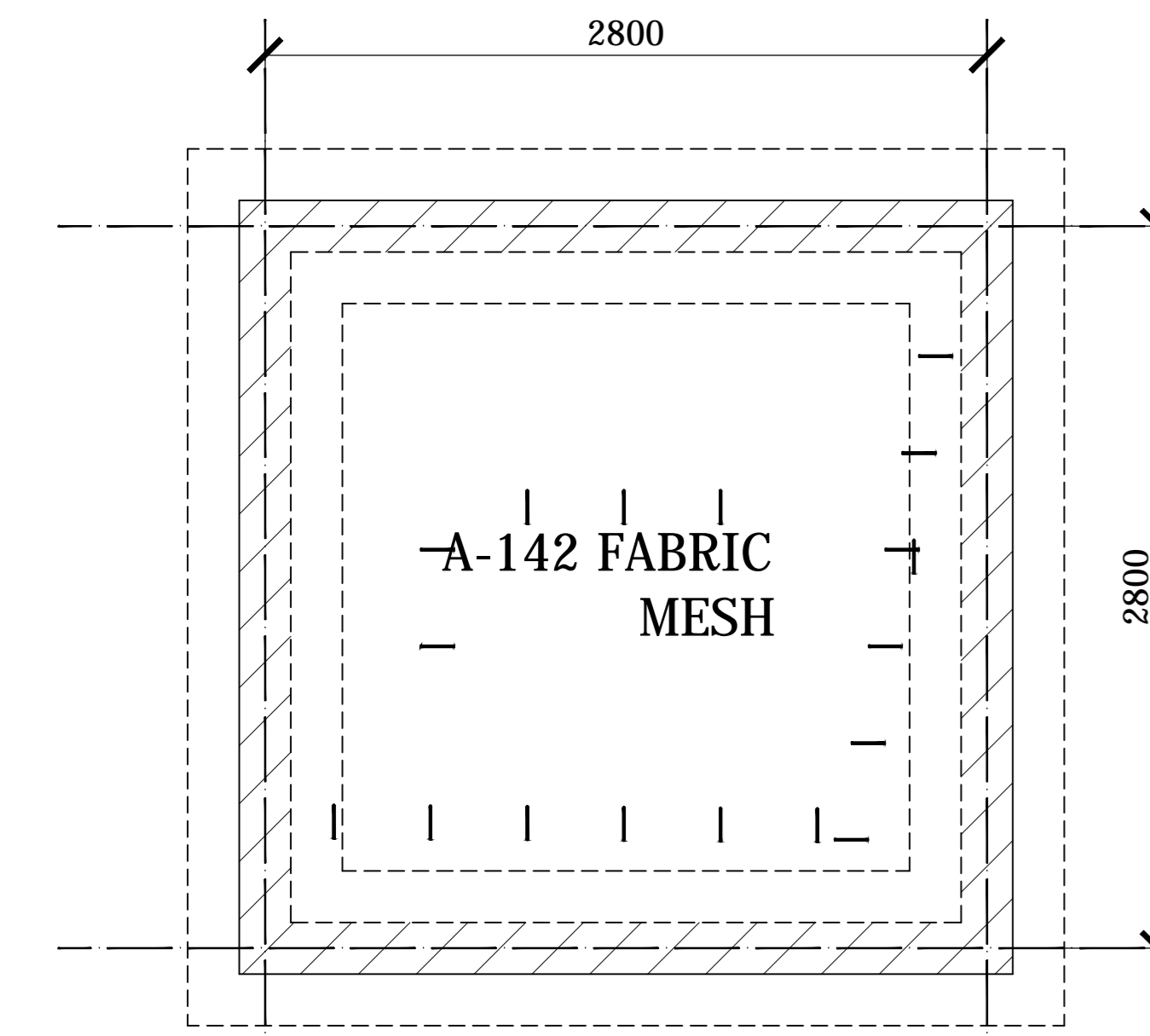
DESIGNED BY: DMM  
CHECKED BY: BAK  
DATE: APRIL 2025  
Job No. SDPW NR 01  
ACAD File D:\structures

DRAWING No. STR 01

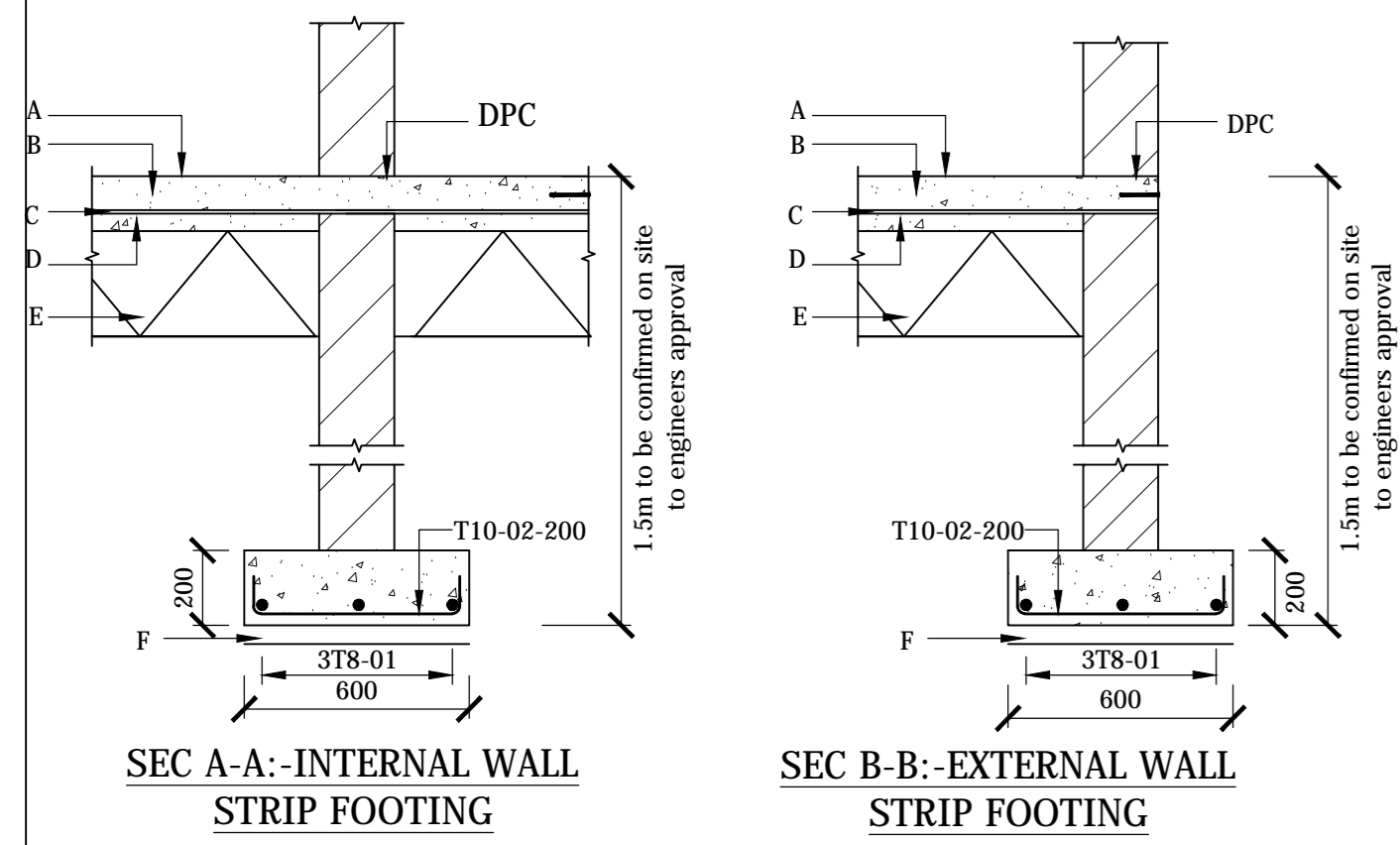
REV	REVISIONS	SIGN	DATE	Designed by	Drawn by
P0	BY: [Signature]	CHECKED BY: [Signature]		Checked by BAK	Approved by [Signature]
P1	BY: [Signature]	CHECKED BY: [Signature]		Scales As shown	Date APRIL 2025
P2	BY: [Signature]	CHECKED BY: [Signature]		Job No. SDPW NR 01	ACAD File D:\structures
P3	BY: [Signature]	CHECKED BY: [Signature]		P STATUS	DRAWING No. STR 01



GH ROOF LAYOUT  
Scale 1:50

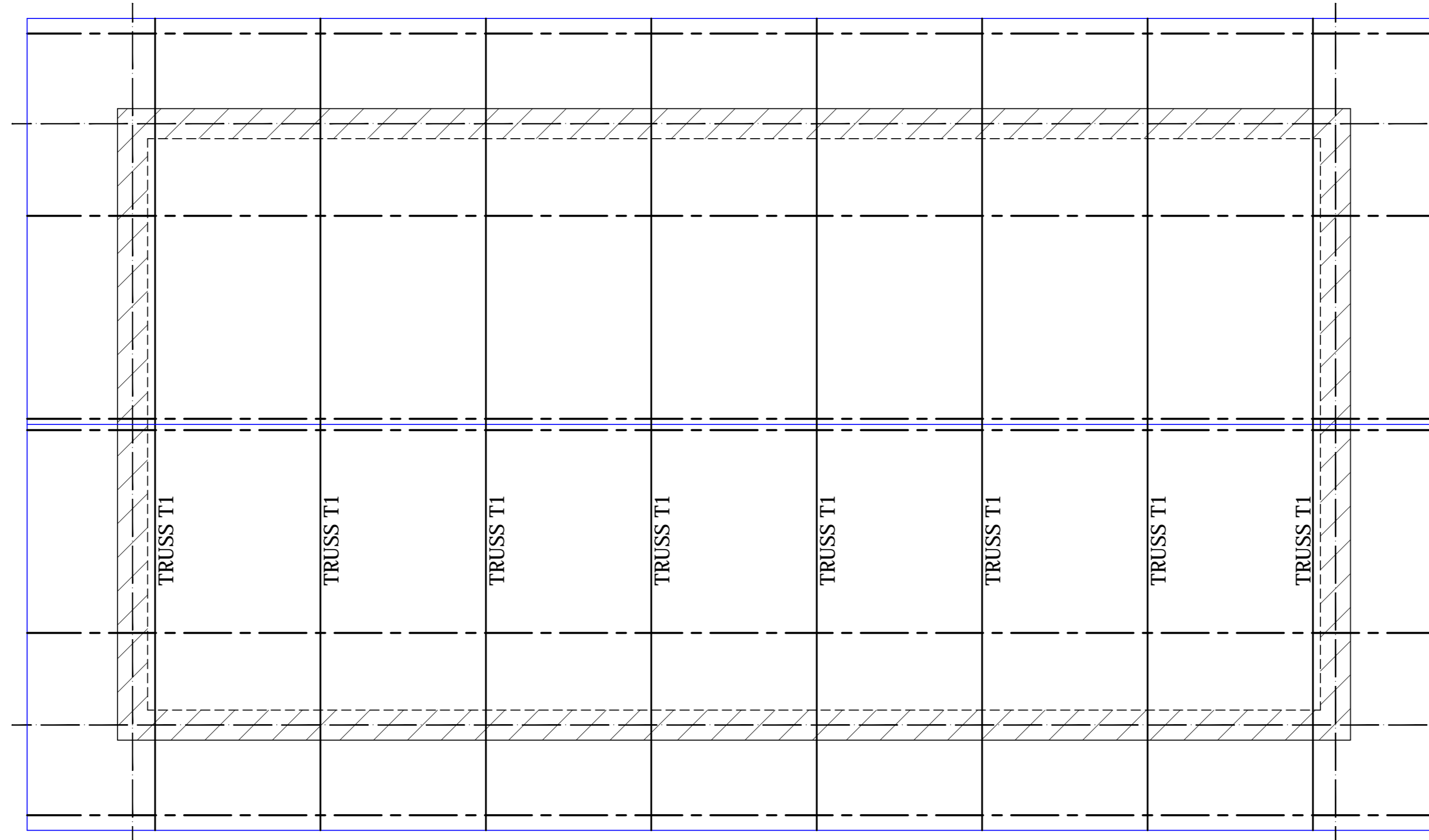


GATEHOUSE FOUNDATION LAYOUT & R.C DETAILS  
Scale 1:50

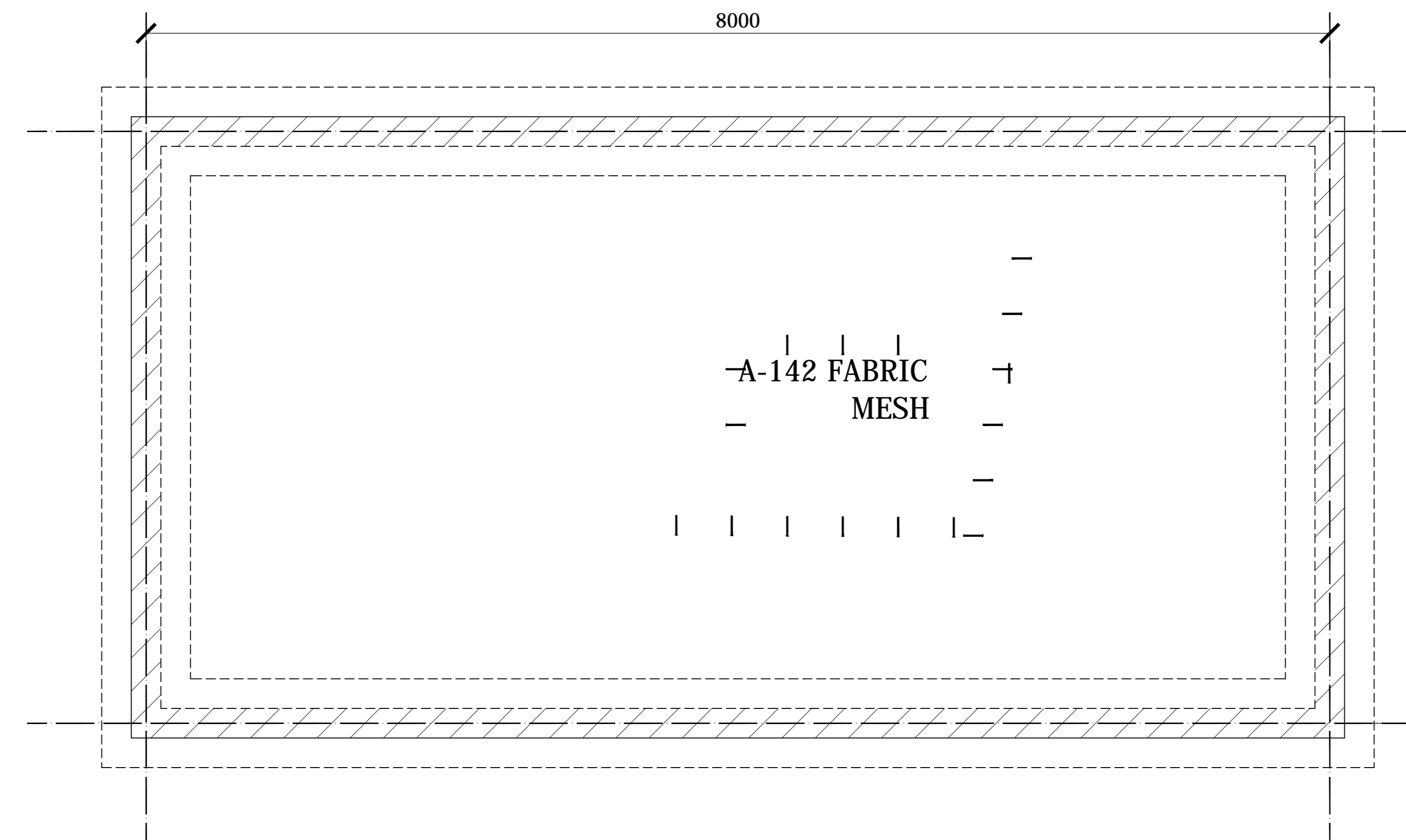


BAR BENDING SCHEDULE					
MEMBER	MARK	SIZE	TOTAL No.	LENGTH	BENDING
STRIP FOOTING (600 x 200)	02	T10	...	700mm	
	01	T8	...	12000mm (CUT AND BEND TO SUIT MIN. LAP = 500mm)	

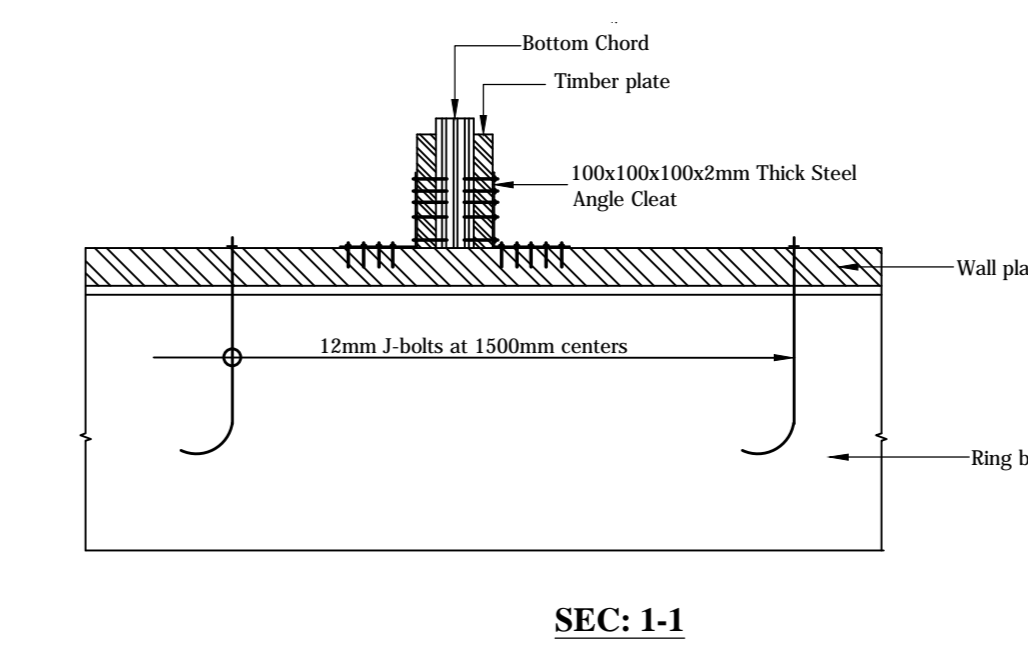
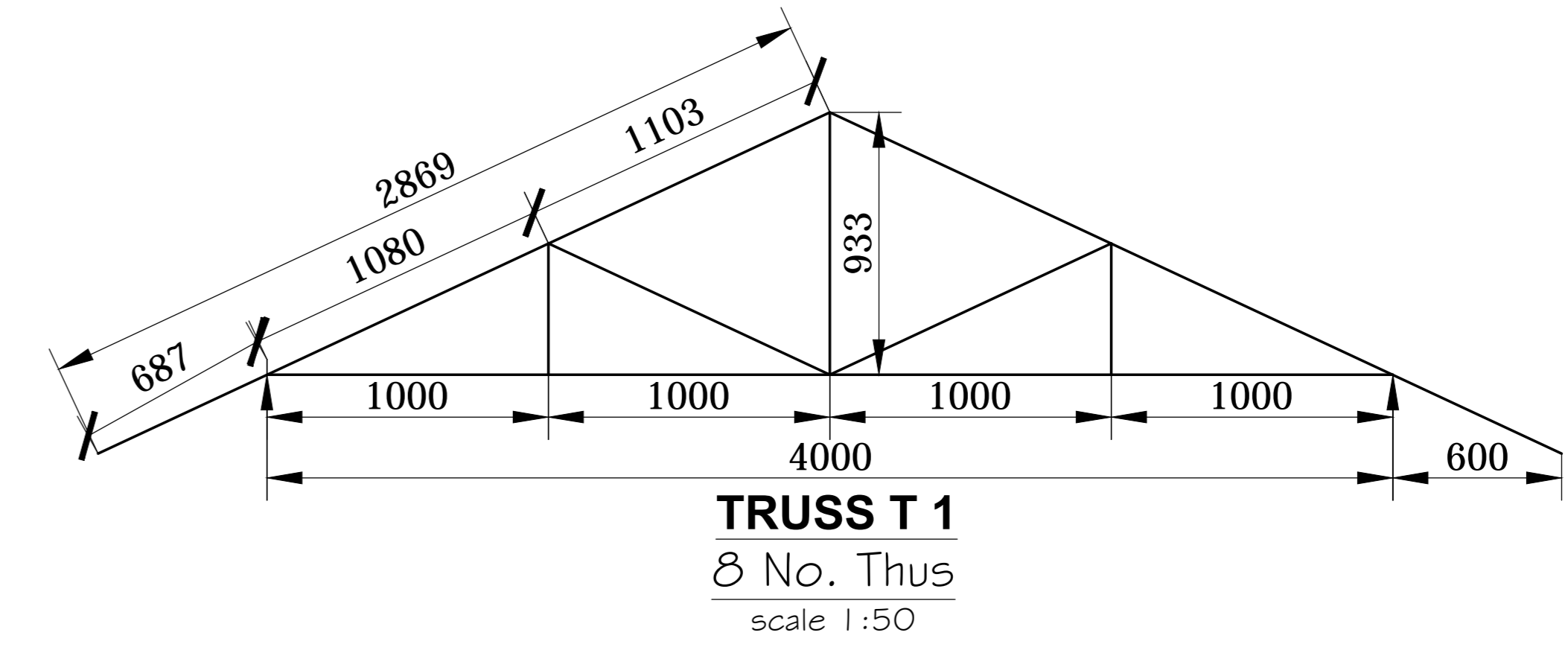
LEGEND	
A	75mm Ground Floor slab
B	Fabric Mesh Ref A-98
C	1000 Gauge Polyethene Sheet DPM
D	50mm Murrum Blinding or approved similar
E	300mm thick (minimum) approved material hardcore fill laid and compacted in layers not exceeding 150mm
F	50mm Class 15 (1:3:6) Concrete Blinding



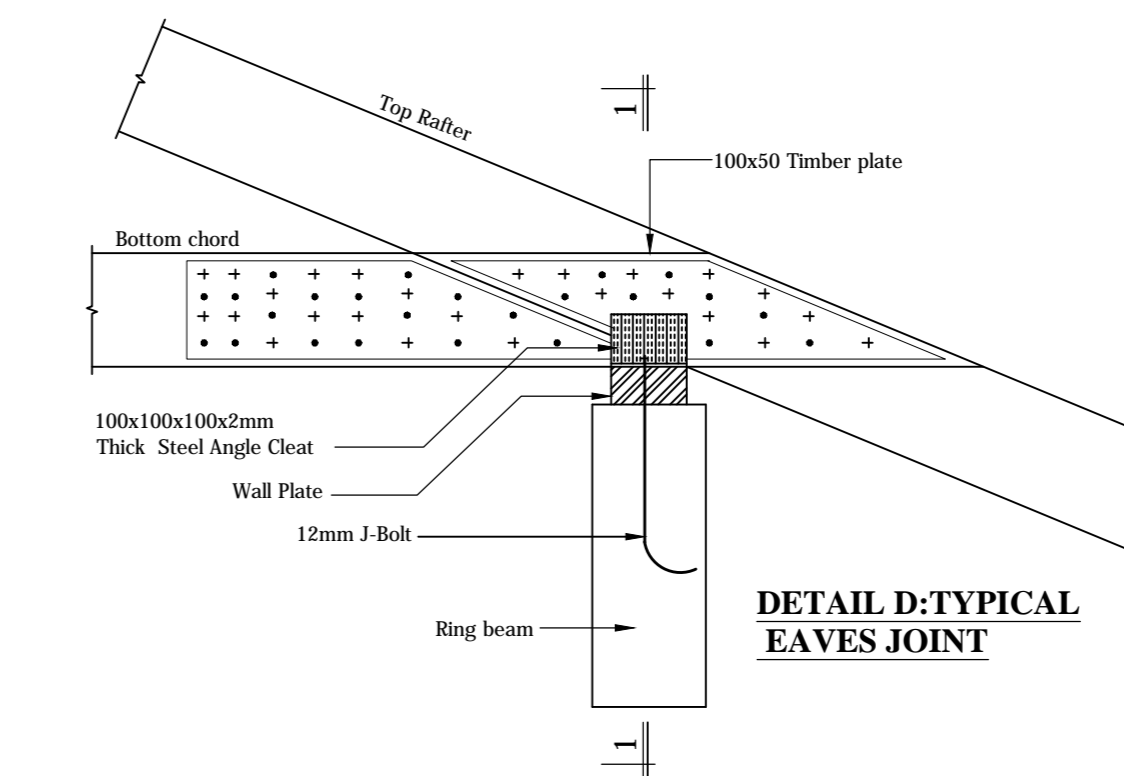
ABLUTION ROOF LAYOUT  
Scale 1:50



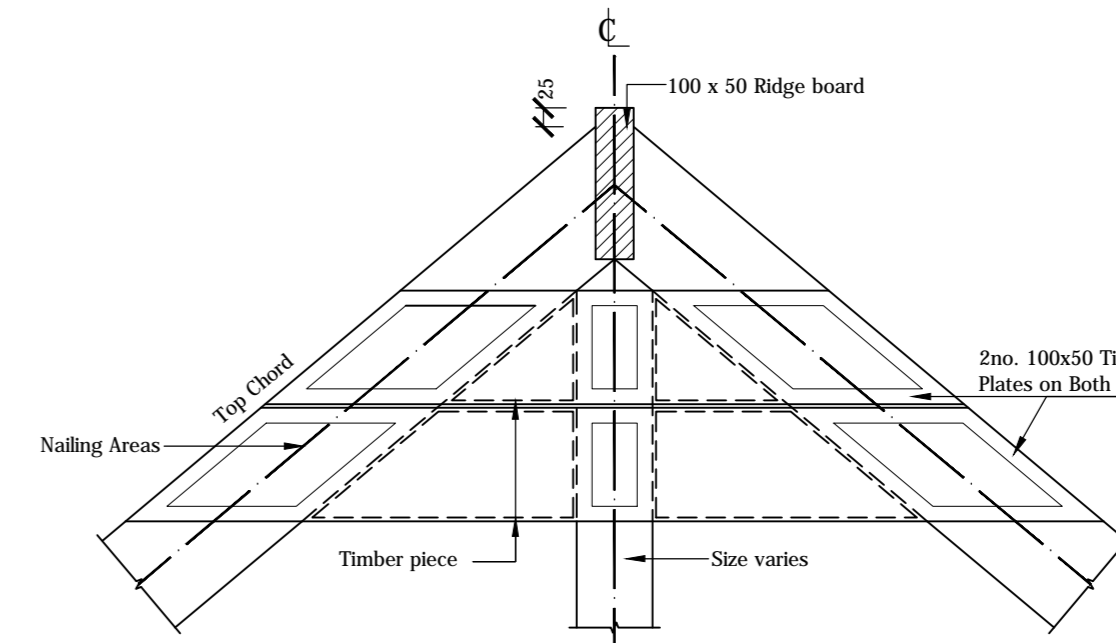
ABLUTION FOUNDATION LAYOUT & R.C DETAILS  
Scale 1:50



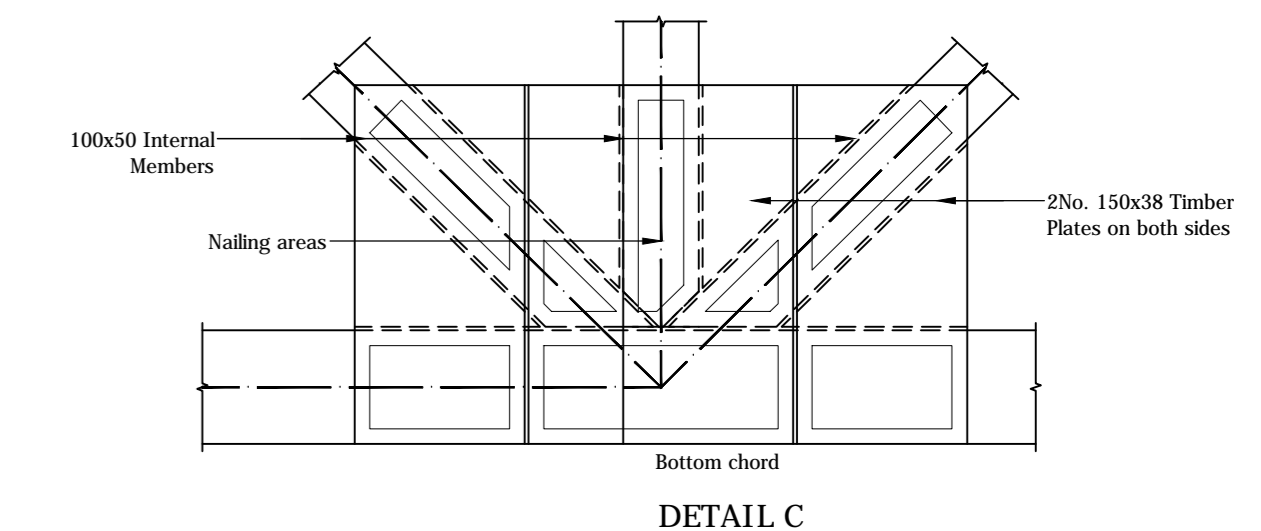
SEC: I-1



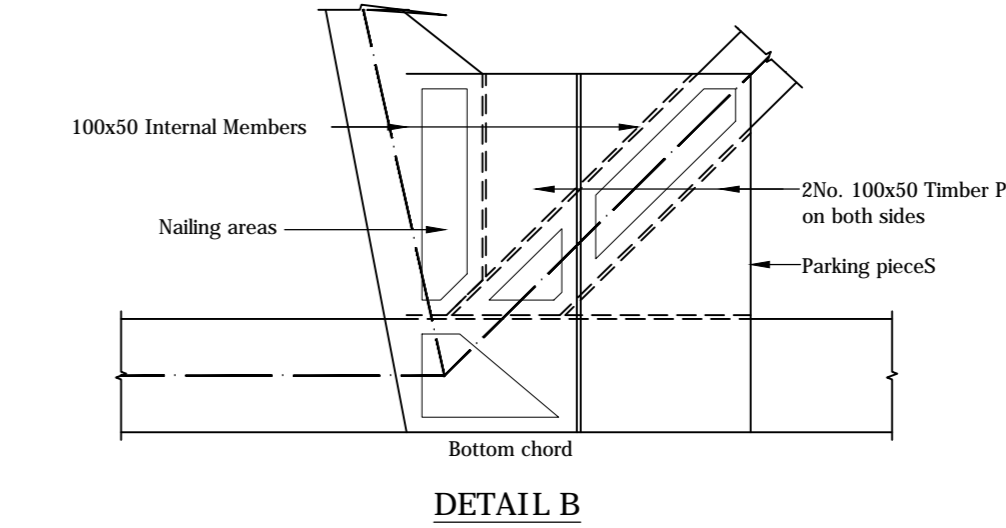
DETAIL D-TYPICAL EAVES JOINT



DETAIL A-TYPICAL APEX JOINT



DETAIL C



DETAIL B

ROOF LEGEND	
R 1	100 x 50 Timber Rigge Beam
H.R 1	100 x 50 Hip Rafter
V.R 1	2 No. 100 x 50 Valley Rafters

- NOTES
1. Read this drawing in conjunction with relevant G.A. Services and Architectural drawings. Any discrepancy to be reported to the Engineer.
  2. All dimensions are in millimetres unless specified otherwise.
  3. Figured dimensions to be read. No scaling is allowed on this drawing.
  4. All levels are in meters unless otherwise indicated.
  5. Minimum cover to all reinforcement to be: Stairs, Slabs & Walls = 20mm Beams = 30mm Columns (main bars) = 40mm Foundations = 50mm
  6. Structural concrete to be class 25 (1:1.5:3) unless stated o/w.
  7. Maximum tolerance on concrete cover is +/- 5mm.
  8. All high tensile (T) bars to be in accordance with BS 4449 and fabric mesh to be made from cold worked steel bars in accordance with BS 4483.
  9. Min mum 1 yto to all bars to be 50 unless stated otherwise.
  10. Nominal aggregate size to be 20mm.

PROJECT  
PROPOSED NG-CDF BOARD  
REGIONAL OFFICE

Client  
NG-CDF BOARD REGIONAL OFFICE.  
P.O BOX  
NAIROBI

Drawing Title  
FOUNDATION LAYOUT, ROOF LAYOUT  
AND TRUSS ARRANGEMENT DETAILS  
GATE HOUSE AND ABLUTION BLOCK

REV	REVISIONS	SIGN	DATE	Designed by	Drawn by
P0	BY			DMM	JWW
P1	CHECKED BY			BAK	
P2	BY			SDPW NR 01	D-structures
P3	CHECKED BY				

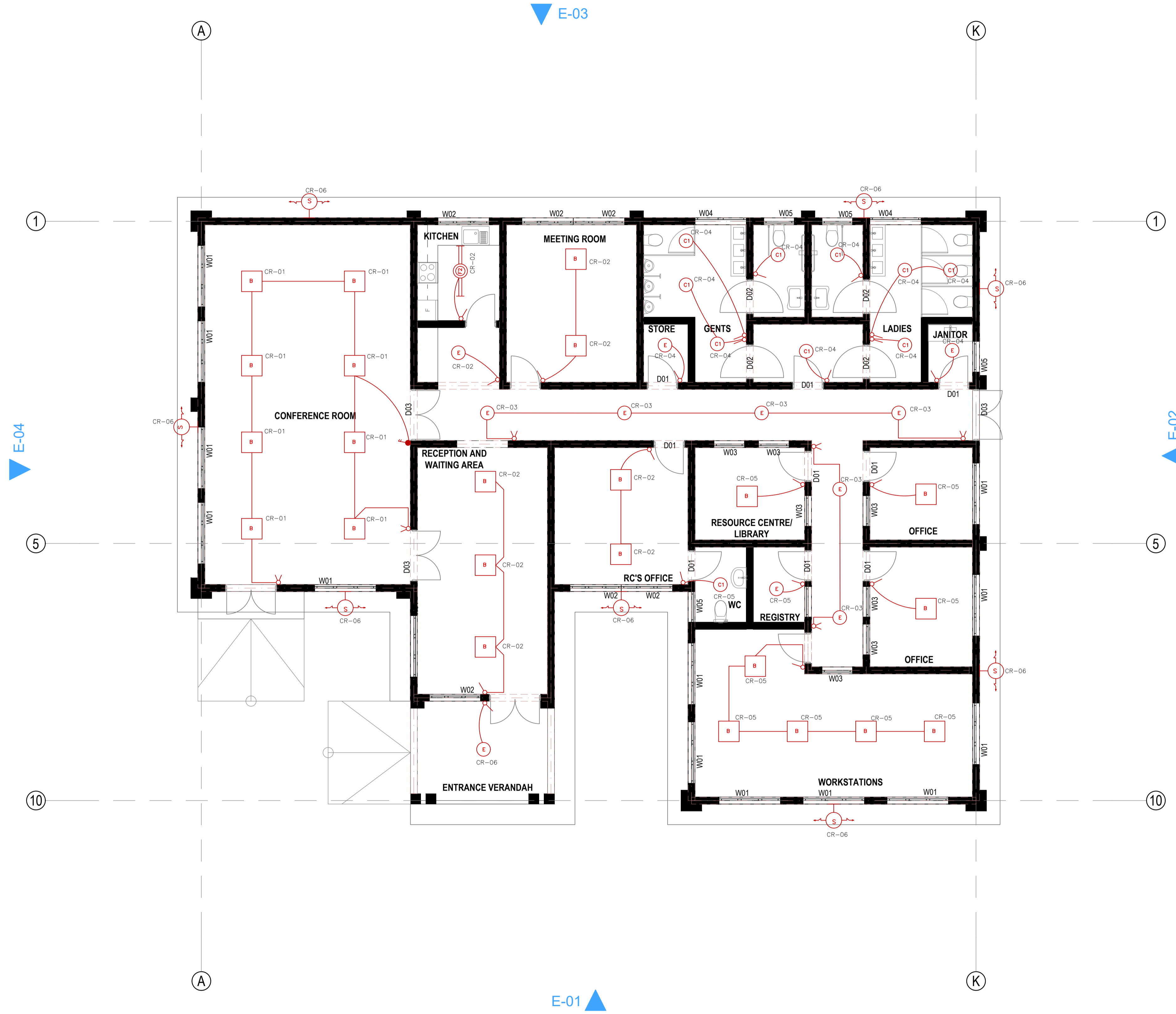
DRAWING No. STR 02

**ELECTRICAL**



# NOTES

- REFER TO ARCHITECTS ELEVATIONS, SETOUT AND JOINERY PLANS FOR THE FINAL INSTALLATION LOCATION OF ALL ELECTRICAL COMPONENTS. ALL LOCATIONS SHALL BE CONFIRMED AGAINST THE APPLICABLE STANDARD IF IN DOUBT SEEK CLARIFICATION.



Project Title:

PROPOSEDD NG-CDF BOARD  
REGIONAL OFFICE

Client: NG-CDF BOARD

TITLE:  
ELECTRICAL INSTALLATION

DRAWING TITLE:  
LIGHTING INSTALLATION LAYOUT

DESIGNED/  
DRAWN

D.K.CHUMO

CHECKED/APPROVED ENG. CHEGE



Ministry of Lands, Public Works,  
Housing and Urban Development

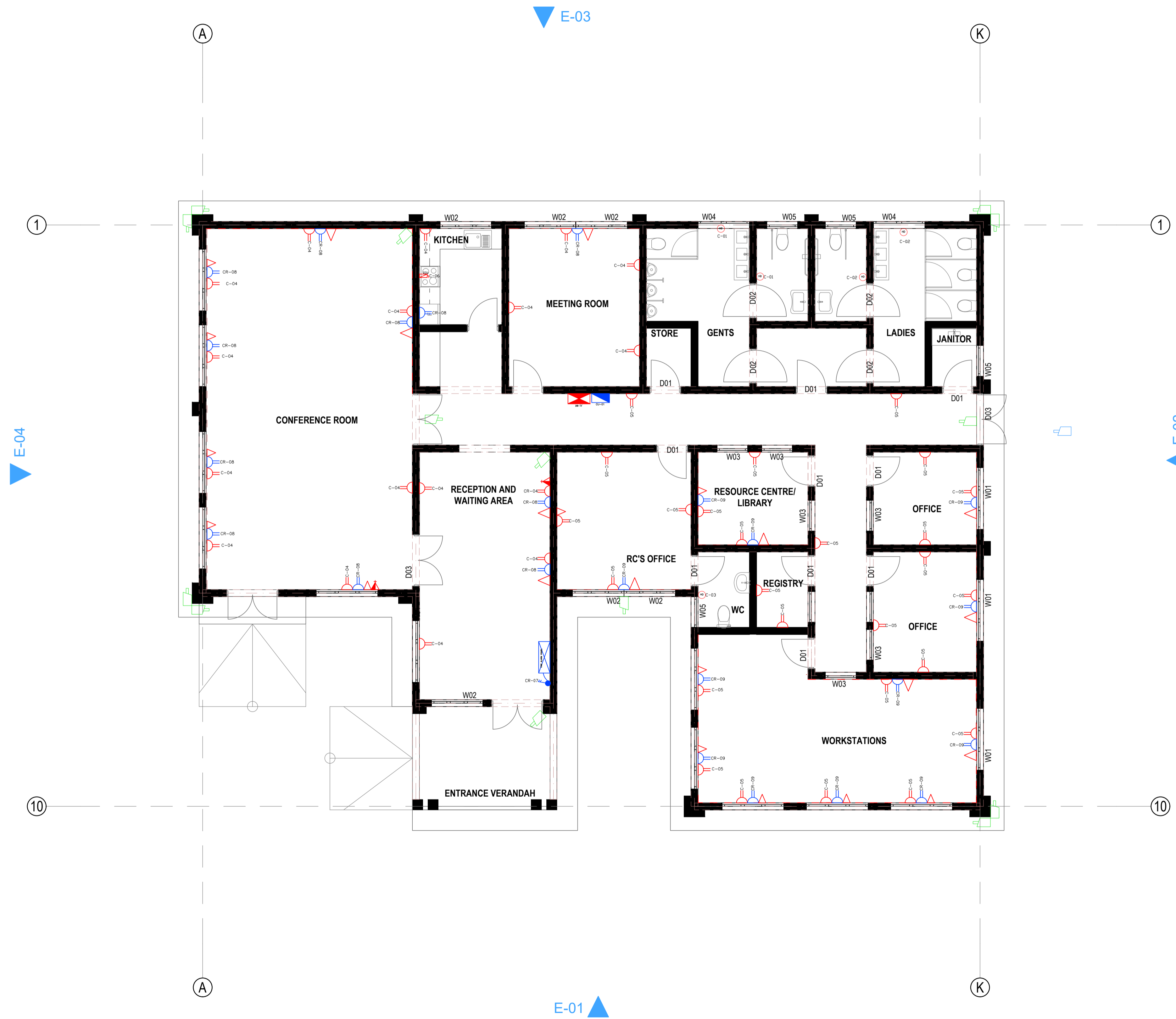
Scale:  
1: 100

Date: MAY,  
2025

drg no.  
EE-01

# NOTES

- REFER TO ARCHITECTS ELEVATIONS, SETOUT AND JOINERY PLANS FOR THE FINAL INSTALLATION LOCATION OF ALL ELECTRICAL COMPONENTS. ALL LOCATIONS SHALL BE CONFIRMED AGAINST THE APPLICABLE STANDARD IF IN DOUBT SEEK CLARIFICATION.



Project Title:

PROPOSEDD NG-CDF BOARD  
REGIONAL OFFICE

Client: NG-CDF BOARD

TITLE:  
ELECTRICAL INSTALLATION

DRAWING TITLE:  
POWER INSTALLATION LAYOUT

DESIGNED/ DRAWN	D.K.CHUMO
--------------------	-----------

CHECKED/APPROVED	ENG. CHEGE
------------------	------------



Ministry of Lands, Public Works,  
Housing and Urban Development

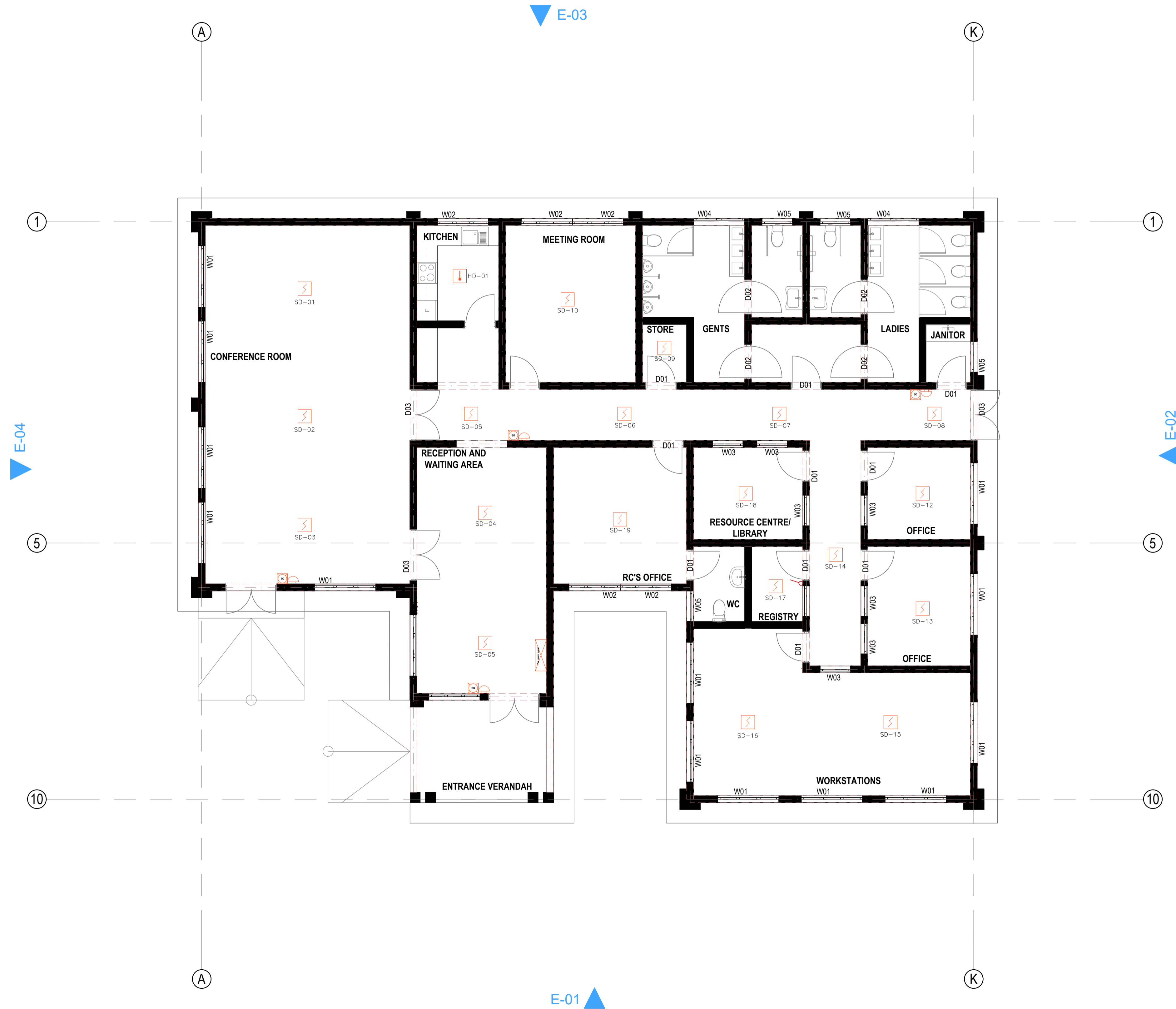
Scale:  
1: 100

Date: MAY,  
2025

drg no.  
EE-02

# NOTES

1. REFER TO ARCHITECTS ELEVATIONS, SETOUT AND JOINERY PLANS FOR THE FINAL INSTALLATION LOCATION OF ALL ELECTRICAL COMPONENTS. ALL LOCATIONS SHALL BE CONFIRMED AGAINST THE APPLICABLE STANDARD IF IN DOUBT SEEK CLARIFICATION.



Project Title:

**PROPOSEDD NG-CDF BOARD  
REGIONAL OFFICE**

Client: **NG-CDF BOARD**

TITLE:  
**ELECTRICAL INSTALLATION**

DRAWING TITLE:  
FIRE ALARM SYSTEM LAYOUT

DESIGNED/ DRAWN	D.K.CHUMO
--------------------	-----------

CHECKED/APPROVED	ENG. CHEGE
------------------	------------



Ministry of Lands, Public Works,  
Housing and Urban Development

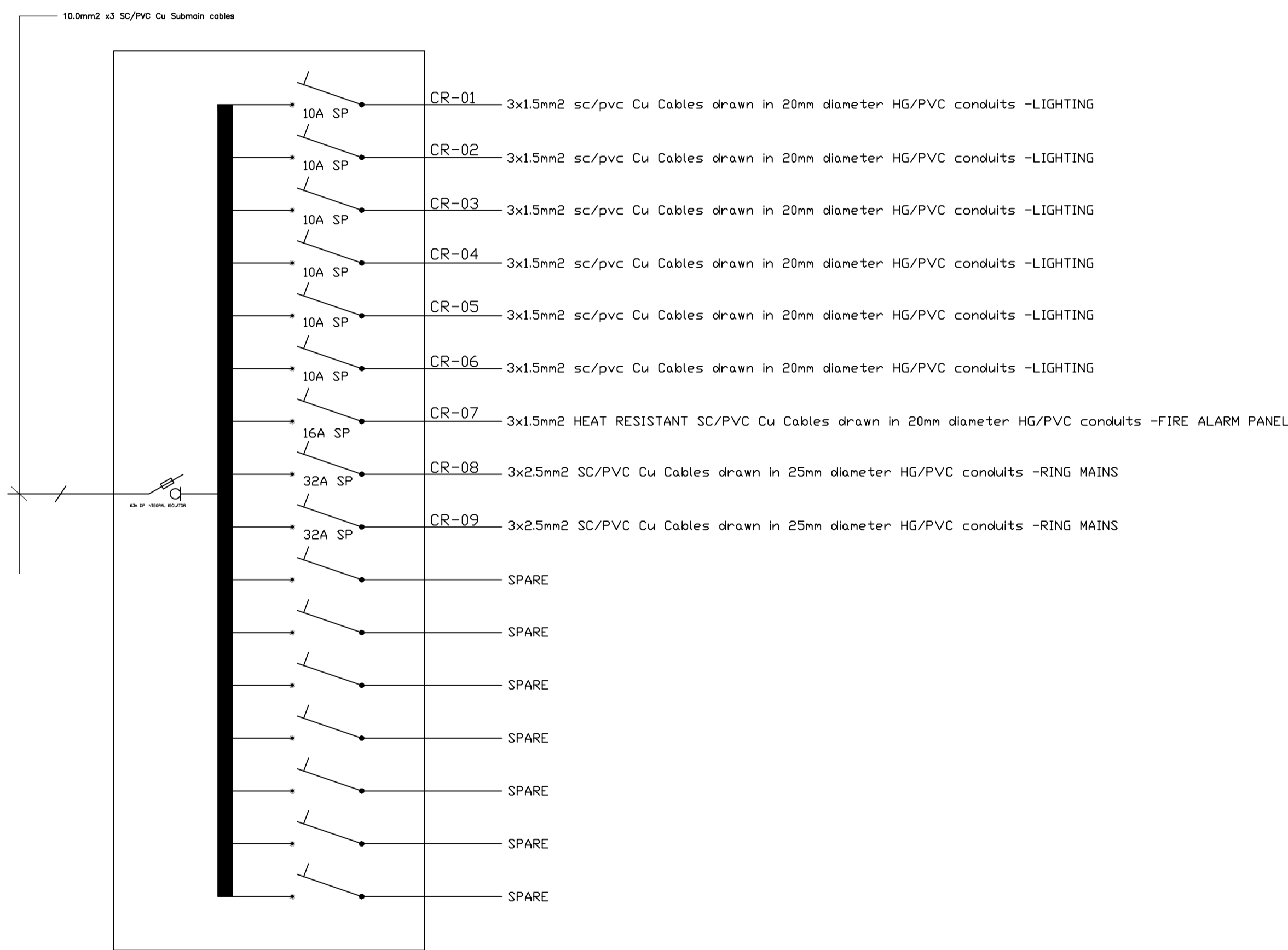
Scale:  
1: 100

Date: **MAY,  
2025**

drg no.  
**EE-03**

# NOTES

1. REFER TO ARCHITECTS ELEVATIONS, SETOUT AND JOINERY PLANS FOR THE FINAL INSTALLATION LOCATION OF ALL ELECTRICAL COMPONENTS. ALL LOCATIONS SHALL BE CONFIRMED AGAINST THE APPLICABLE STANDARD IF IN DOUBT SEEK CLARIFICATION.



CU 01, 8-WAY CONSUMERS UNIT



DB 'A', 6-WAY DISTRIBUTION BOARD

Project Title:

PROPOSEDD NG-CDF BOARD  
REGIONAL OFFICE

Client: NG-CDF BOARD

TITLE:  
ELECTRICAL INSTALLATION

DRAWING TITLE:  
SCHEMATIC DIAGRAMS

DESIGNED/  
DRAWN

D.K.CHUMO

CHECKED/APPROVED ENG. CHEGE



Ministry of Lands, Public Works,  
Housing and Urban Development

Scale:  
1: 100

Date: MAY,  
2025

drg no.  
EE-04

MECHANICAL



**NOTES**

1. All dimensions are in millimetres unless otherwise stated.
2. All drawing shall be read together with Architects and Civil Engineers drawings
3. All valves to be of brass/bronze heavy pattern construction as 'pegler'.
4. All pipeswork shall run in wall chase, underfloor, underworktop, in ceiling voids etc.exposed pipe work shall not be accepted.
5. Water pipes under floor slab, driveways,walkway,carpark etc, to be sleeved in heavy duty PVC or gms pipe as instructed.
6. All inspection chambers in drive area to have heavy duty covers.
7. Over flow pipes to discharge at 150 mm beyond.

PROJECT  
PROPOSED REGIONAL OFFICE

DRG. LEVEL  
GROUND FLOOR

DRG. TITLE  
PLUMBING LAYOUT

CLIENT:  
NG CDF

ENGINEER  
 STATE DEPARTMENT FOR PUBLIC WORKS  
MINISTRY OF LAND,PUBLIC WORKS,HOUSING AND URBAN  
DEVELOPMENT

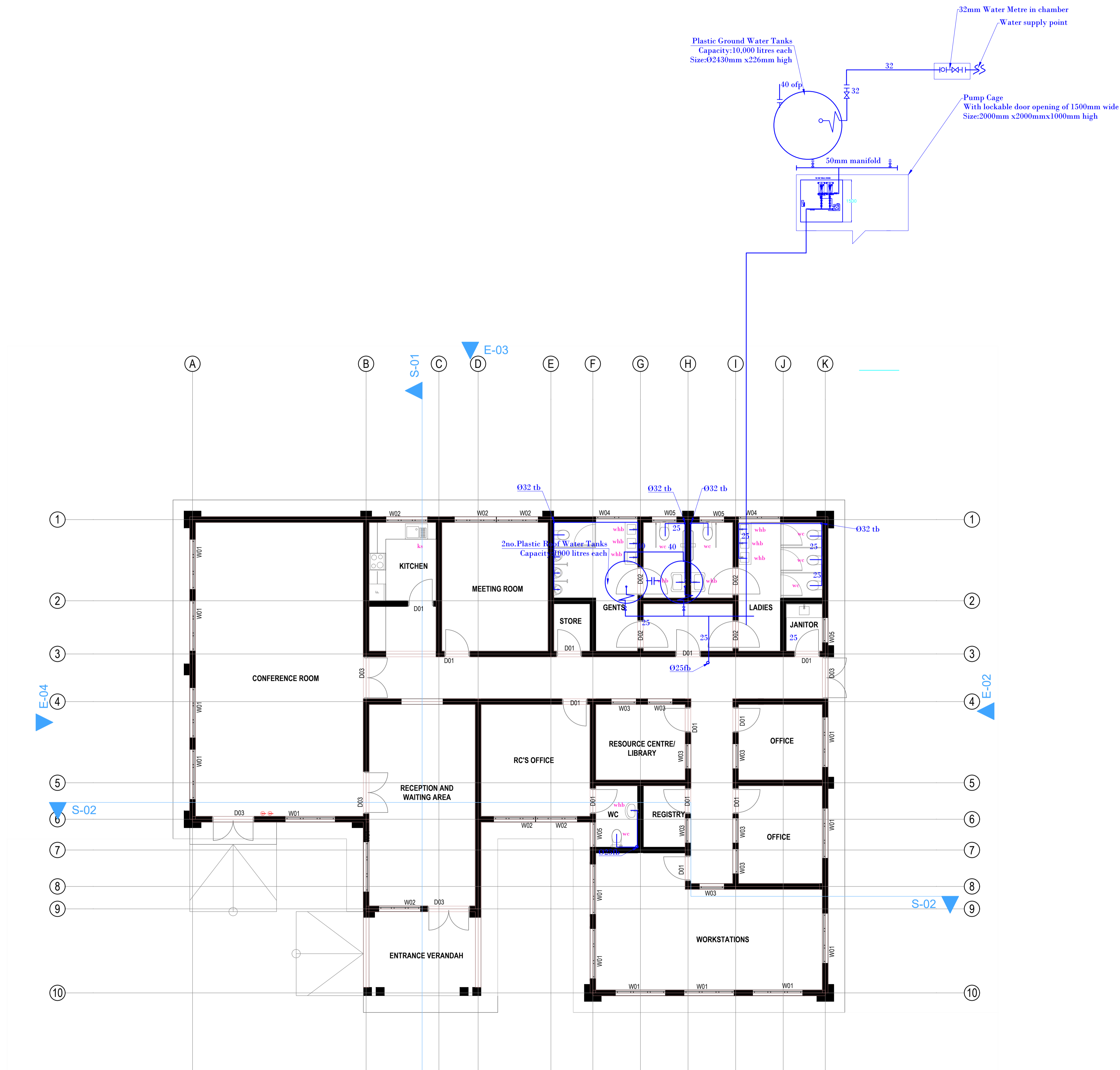
DATE: MARCH 2025 SCALE: 1:75


DRAWN/DESIGN BY:

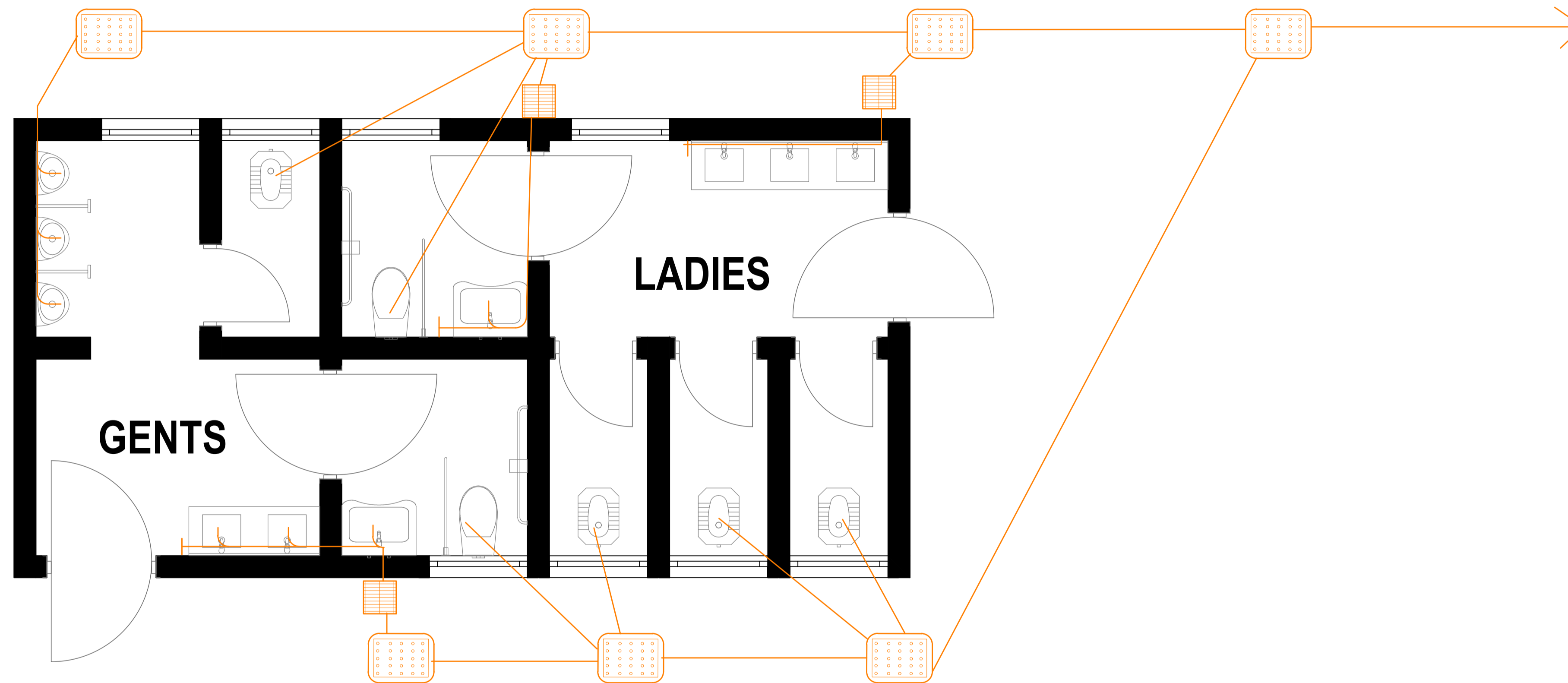
DRG.No. MECH-1 PROJECT.No.

NOTES

1. All dimensions are in millimetres unless otherwise stated.
2. All drawing shall be read together with Architects and Civil Engineers drawings
3. All valves to be of brass/bronze heavy pattern construction as 'pegler'.
4. All pipeswork shall run in wall chase, underfloor, underworktop, in ceiling voids etc.exposed pipe work shall not be accepted.
5. Water pipes under floor slab, driveways,walkway,carpark etc, to be sleeved in heavy duty PVC or gms pipe as instructed.
6. All inspection chambers in drive area to have heavy duty covers.
7. Over flow pipes to discharge at 150 mm beyond.




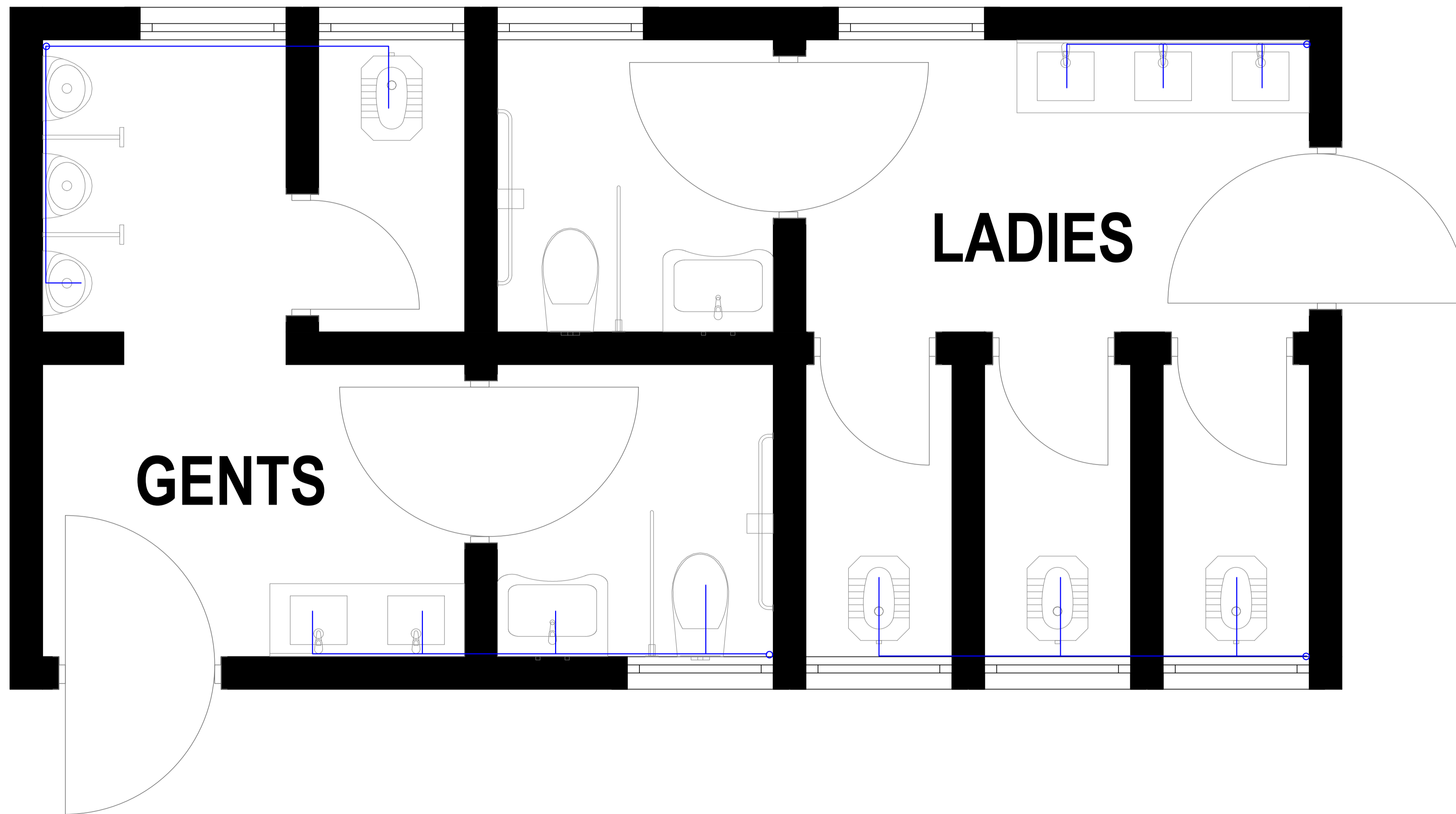
PROJECT PROPOSED REGIONAL OFFICE	
DRG. LEVEL GROUND FLOOR	
DRG. TITLE DRAINAGE LAYOUT	
CLIENT: NG CDF	
ENGINEER  STATE DEPARTMENT FOR PUBLIC WORKS MINISTRY OF LAND, PUBLIC WORKS, HOUSING AND URBAN DEVELOPMENT	
DATE: MARCH 2025	SCALE: 1:75
DRAWN/DESIGN BY:	
DRG.No. MECH-3	PROJECT.No.



**NOTES**

1. All dimensions are in millimetres unless otherwise stated.
2. All drawing shall be read together with Architects and Civil Engineers drawings
3. All valves to be of brass/bronze heavy pattern construction as 'pegler'.
4. All pipeswork shall run in wall chase, underfloor, underworktop, in ceiling voids etc.exposed pipe work shall not be accepted.
5. Water pipes under floor slab, driveways,walkway,carpark etc, to be sleeved in heavy duty PVC or gms pipe as instructed.
6. All inspection chambers in drive area to have heavy duty covers.
7. Over flow pipes to discharge at 150 mm beyond.

<b>PROJECT</b> PROPOSED REGIONAL OFFICE	
<b>DRG. LEVEL</b> GROUND FLOOR ABLUTION BLOCK	
<b>DRG. TITLE</b> DRAINAGE LAYOUT	
<b>CLIENT:</b> NG CDF	
<b>ENGINEER</b>   STATE DEPARTMENT FOR PUBLIC WORKS MINISTRY OF LAND,PUBLIC WORKS,HOUSING AND URBAN DEVELOPMENT	
<b>DATE:</b> MARCH 2025	<b>SCALE:</b> 1:75
<b>DRAWN/DESIGN BY:</b>	
<b>DRG.No.</b> MECH-4	<b>PROJECT.No.</b>



**NOTES**

1. All dimensions are in millimetres unless otherwise stated.
2. All drawing shall be read together with Architects and Civil Engineers drawings
3. All valves to be of brass/bronze heavy pattern construction as 'pegler'.
4. All pipeswork shall run in wall chase, underfloor, underworktop, in ceiling voids etc.exposed pipe work shall not be accepted.
5. Water pipes under floor slab, driveways,walkway,carpark etc, to be sleeved in heavy duty PVC or gms pipe as instructed.
6. All inspection chambers in drive area to have heavy duty covers.
7. Over flow pipes to discharge at 150 mm beyond.

PROJECT  
PROPOSED REGIONAL OFFICE

DRG. LEVEL  
GROUND FLOOR ABLUTION BLOCK

DRG. TITLE  
PLUMBING LAYOUT

CLIENT:  
NG CDF

ENGINEER  
 STATE DEPARTMENT FOR PUBLIC WORKS  
MINISTRY OF LAND,PUBLIC WORKS,HOUSING AND URBAN  
DEVELOPMENT

DATE: MARCH 2025 SCALE: 1:20

DRAWN/DESIGN BY:

DRG.No. MECH-2 PROJECT.No.